

Fig. H1-0

MACHINE BED

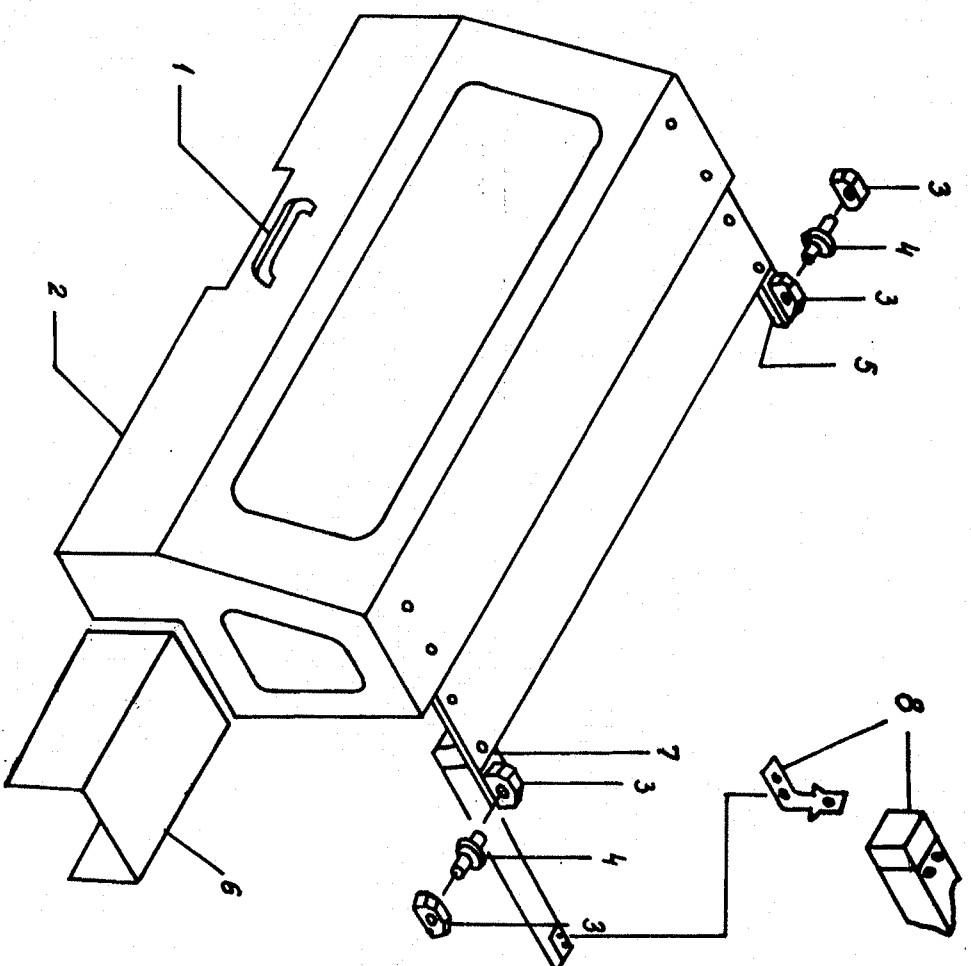


Fig. H2-0

PROTECTIVE COVER

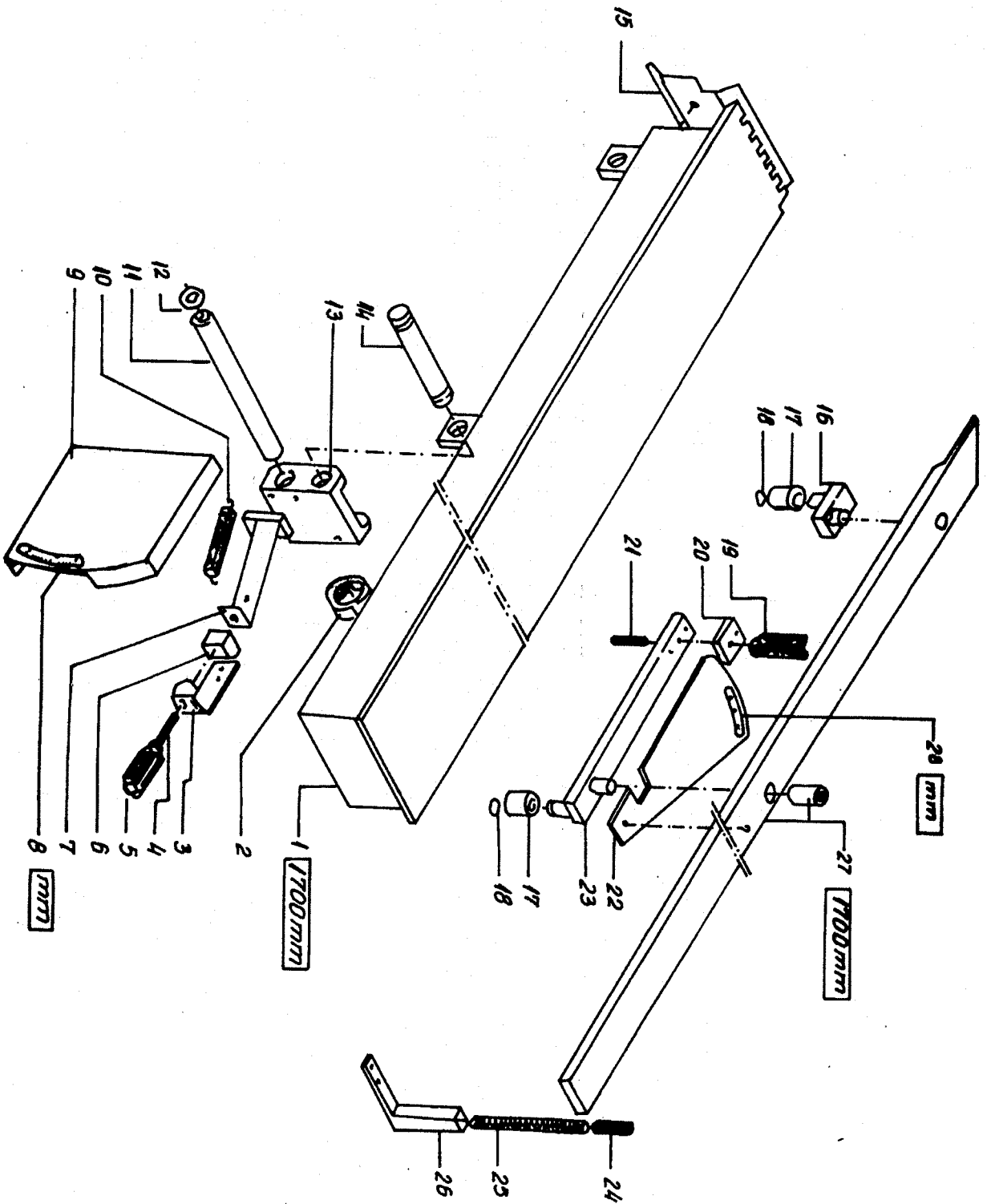


Fig. H3-0

ADJUSTABLE TABLE AND FENCE

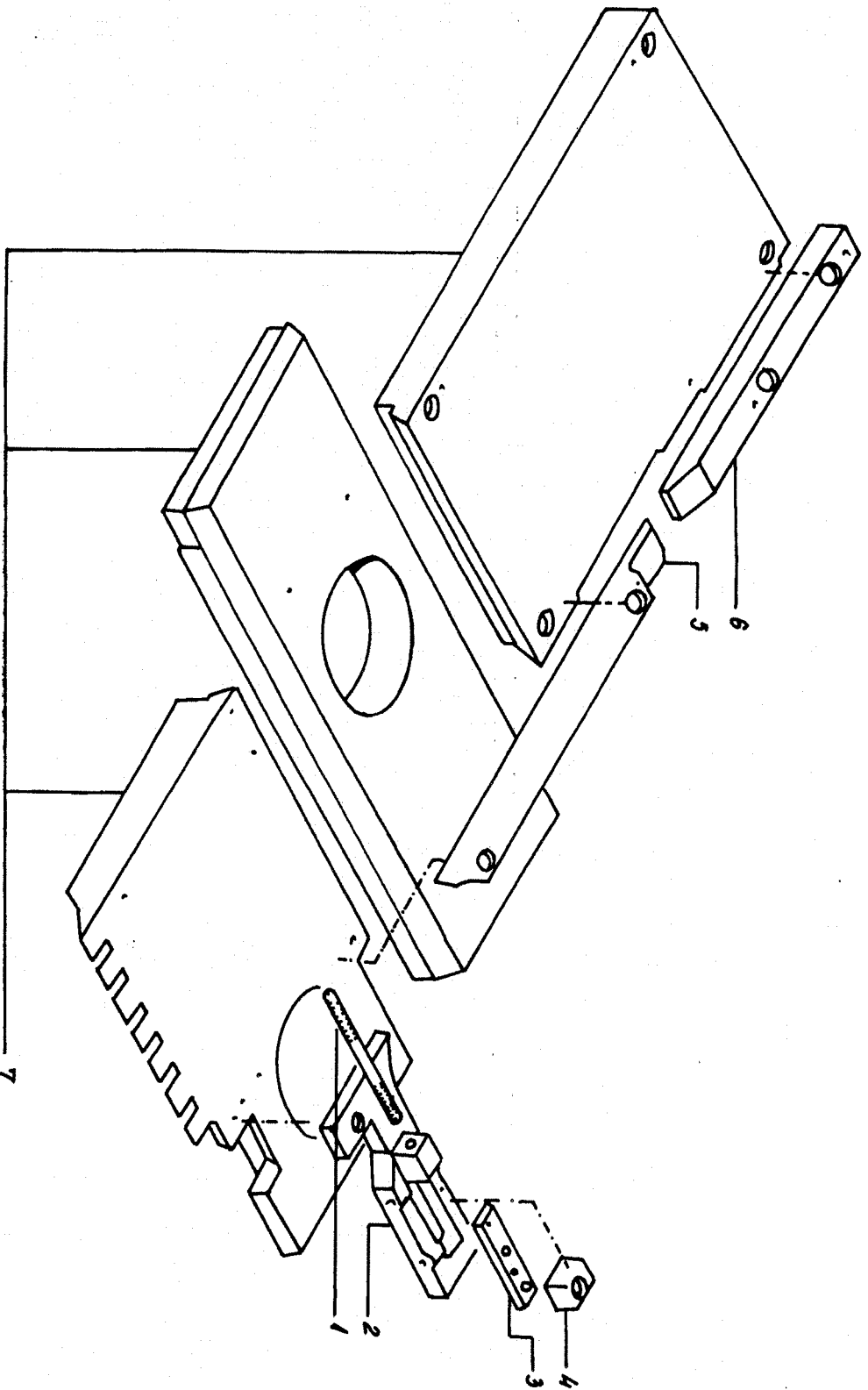


Fig. H4-0

IMMOBILE TABLES AND RIGHT LIMITING DEVICES

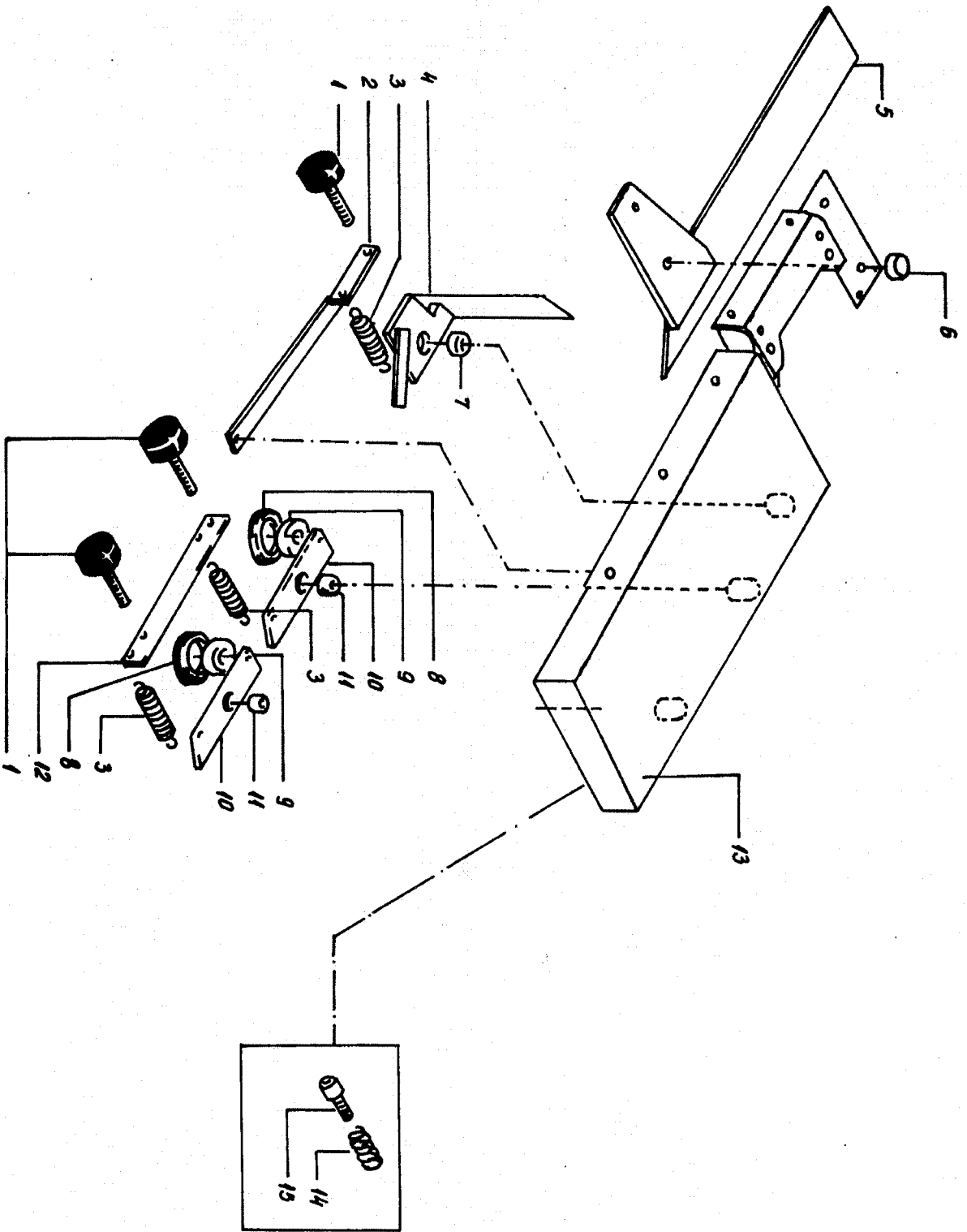


Fig. H5-0

HORIZONTAL PRESSING DEVICES AND LEFT LIMITING DEVICE

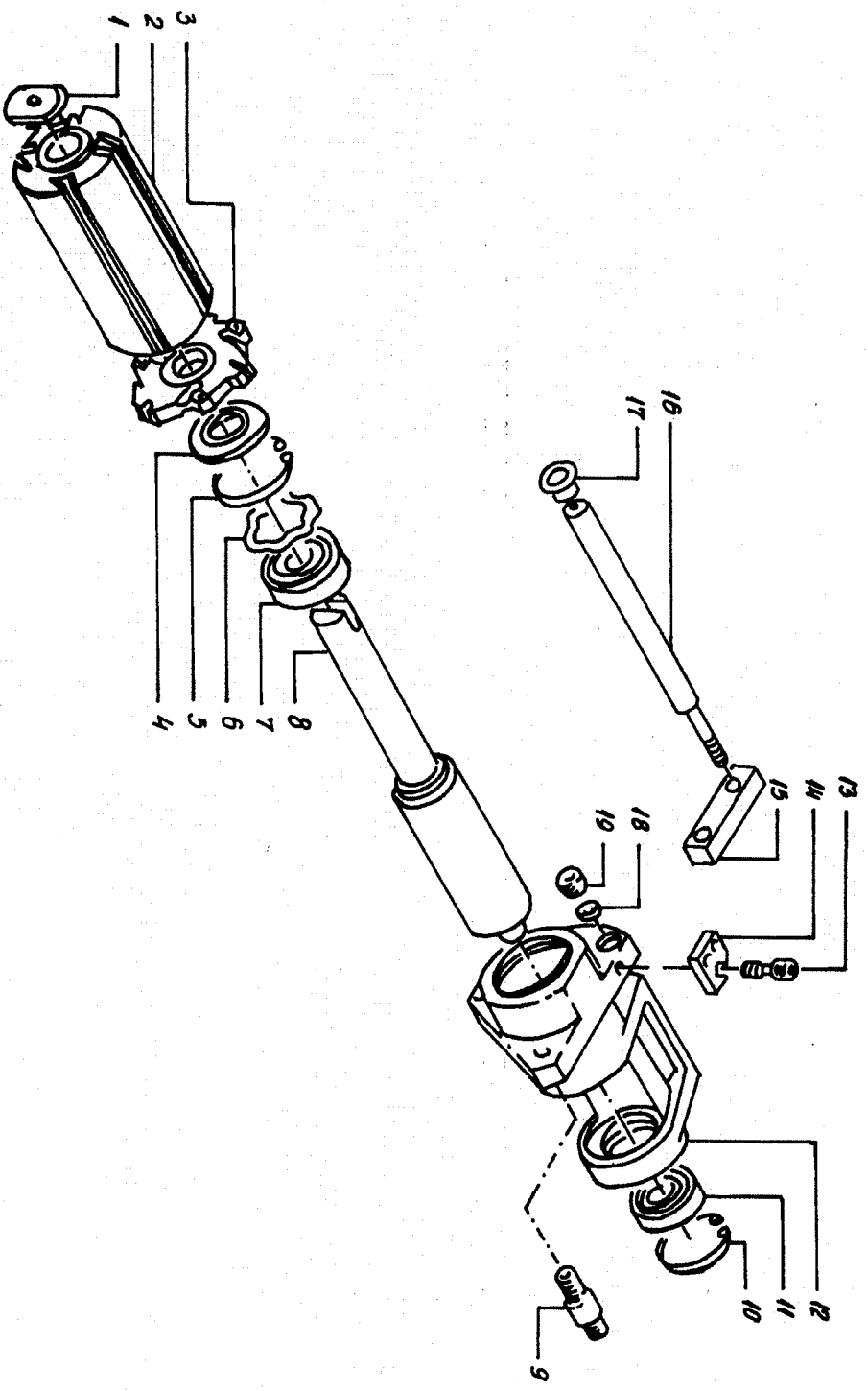


Fig. H6-0

SPINDLE GROUP No 1 (LOWER HORIZONTAL SPINDLE)

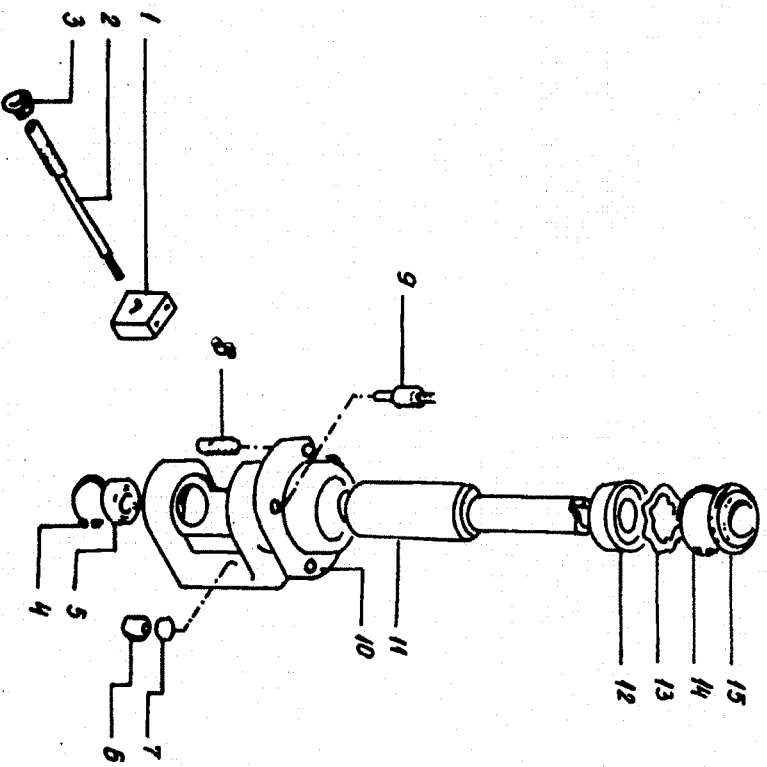
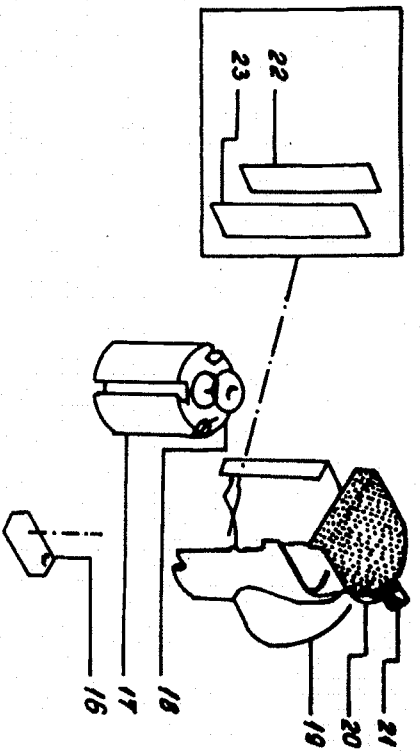


Fig. H7-0

SPINDLE GROUP No 2 (RIGHT VERTICAL SPINDLE)

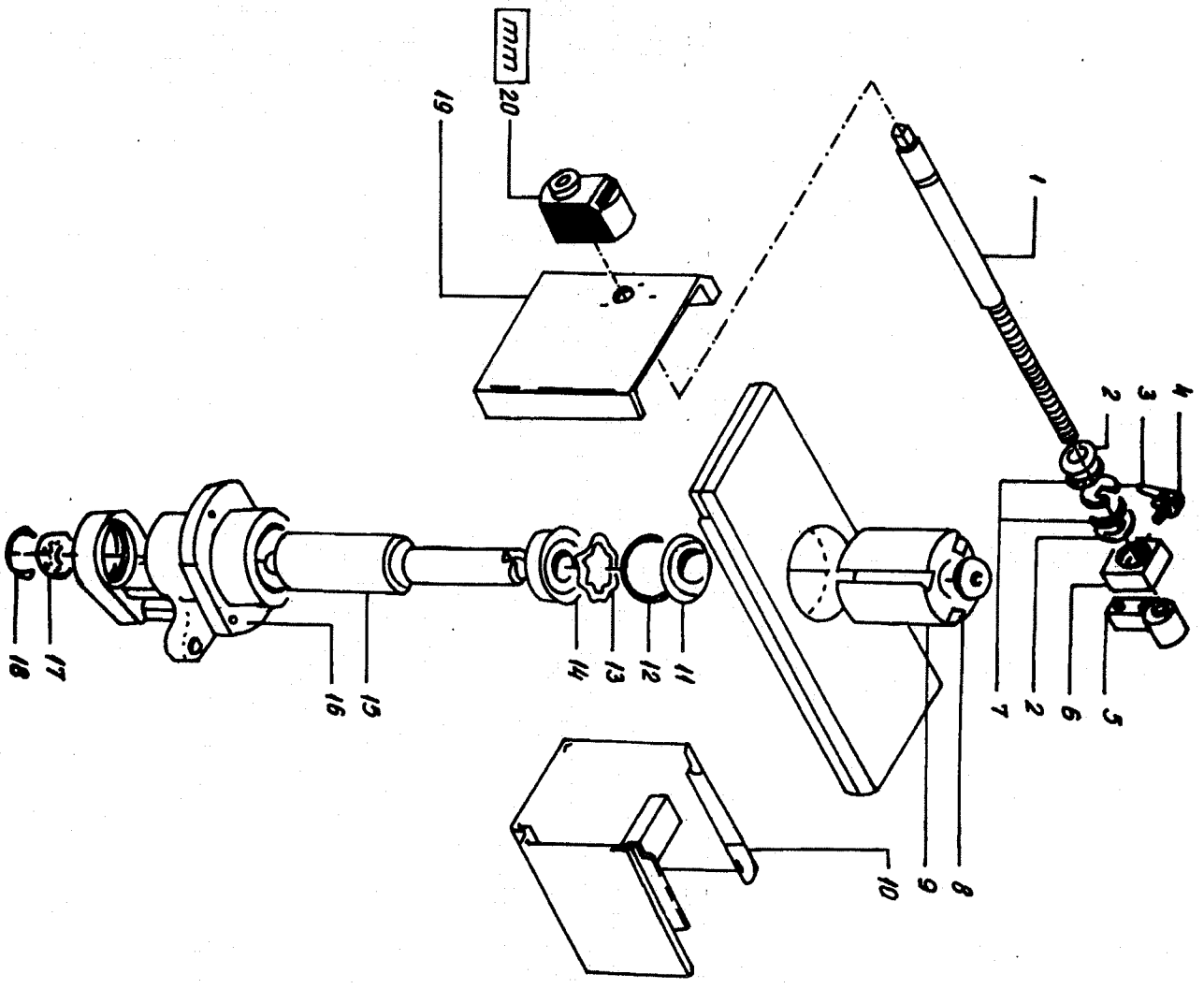


Fig. H8-0

SPINDLE GROUP No 3 (LEFT VERTICAL SPINDLE)



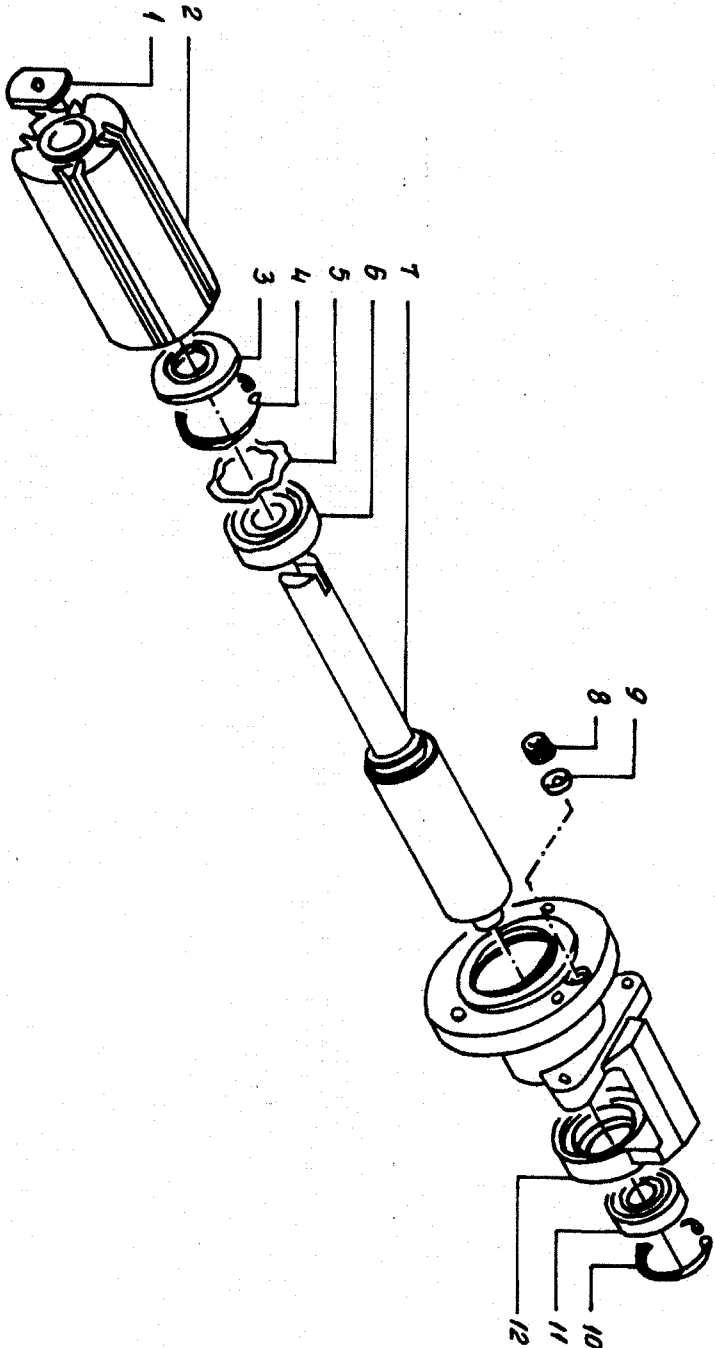


Fig. H9-0

SPINDLE GROUP No 4 (UPPER HORIZONTAL SPINDLE)

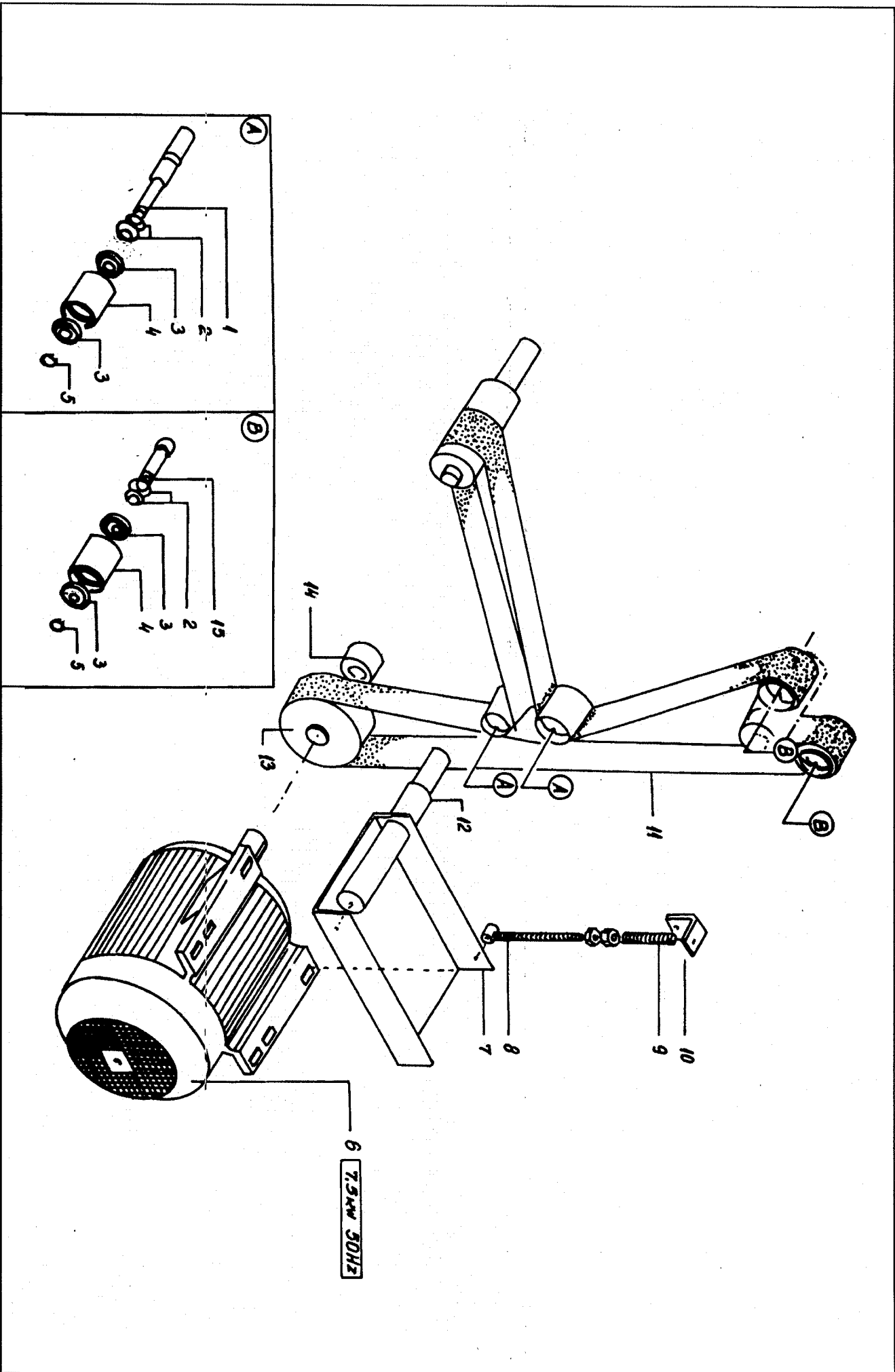


Fig. H10-0

PUTTING THE HORIZONTAL GROUPS IN MOTION

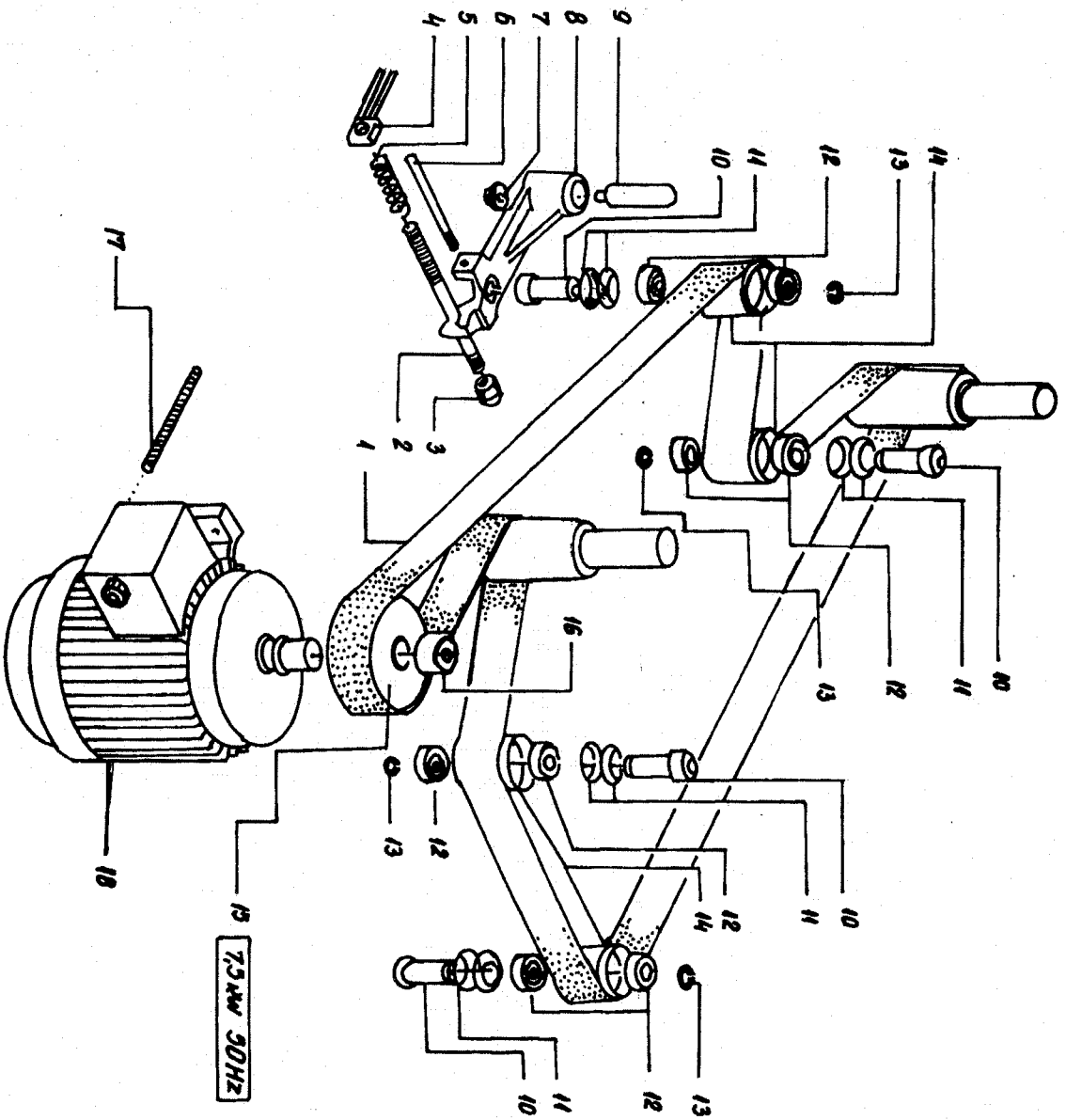


Fig. H111-0

PUTTING THE VERTICAL SPINDLES IN MOTION

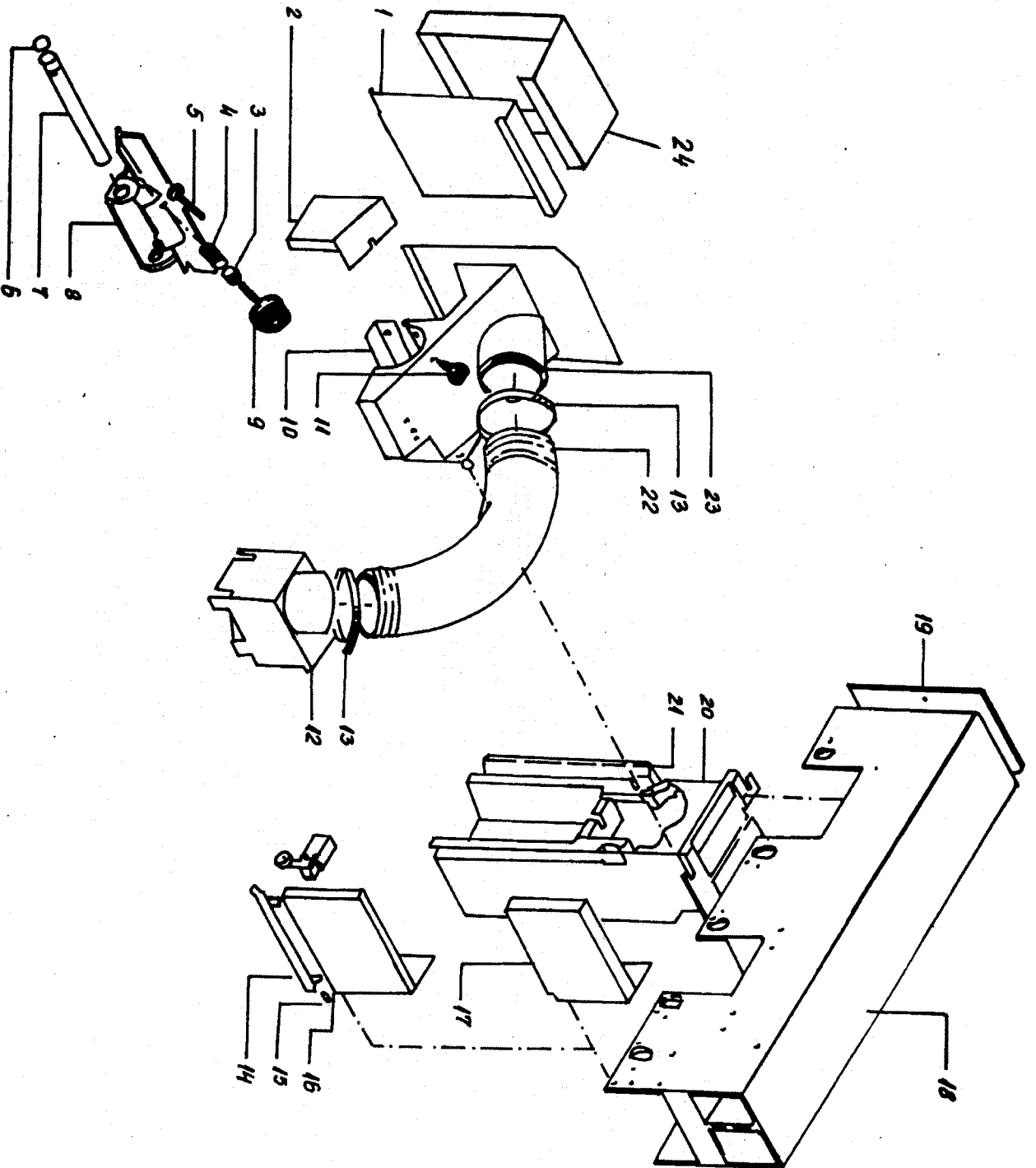


Fig. H12-0

HORIZONTAL BEAM / SUCKER OF SPINDLES No 3 AND No 4

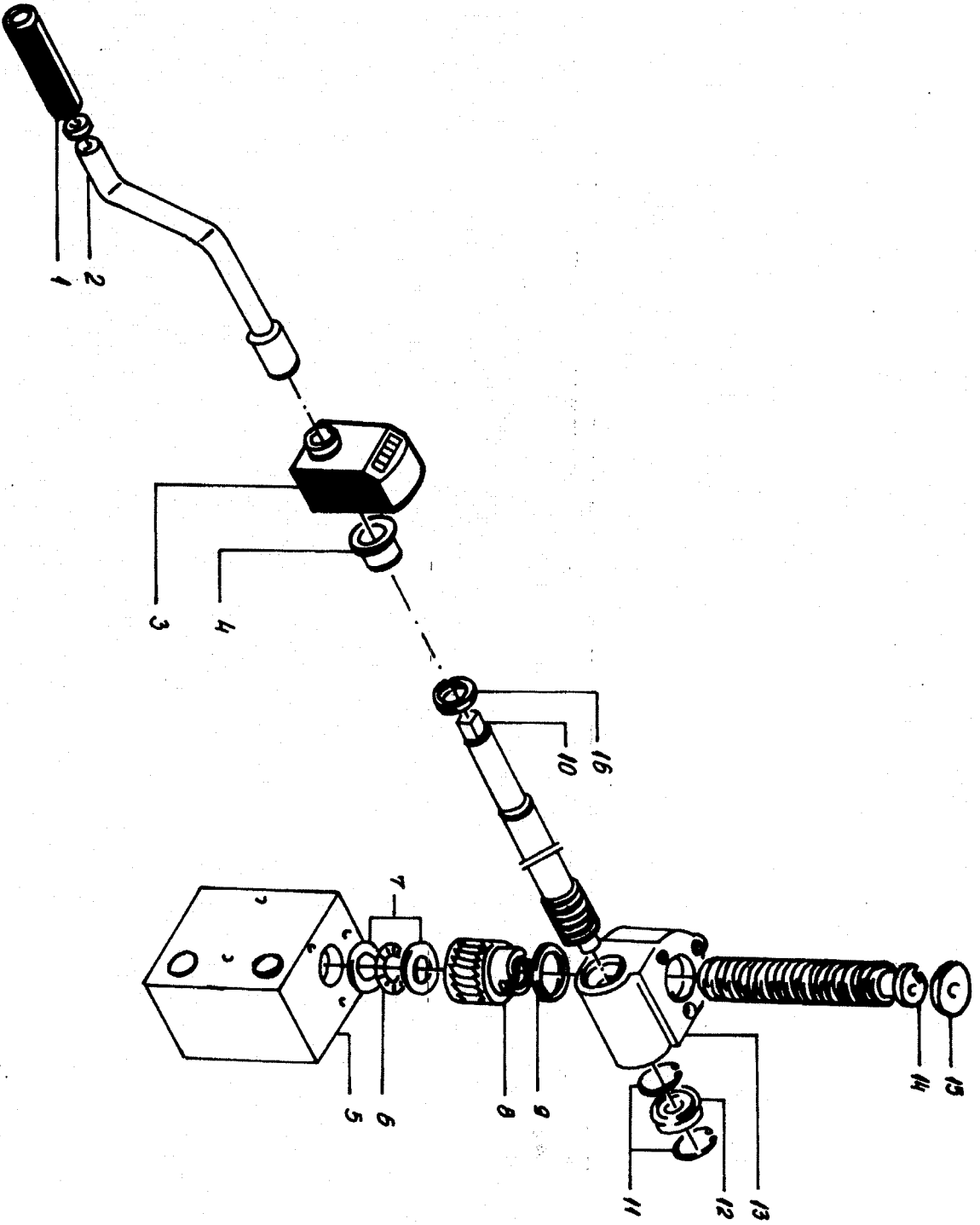


Fig. H13-0

LIFTING OF THE UPPER HORIZONTAL SPINDLE

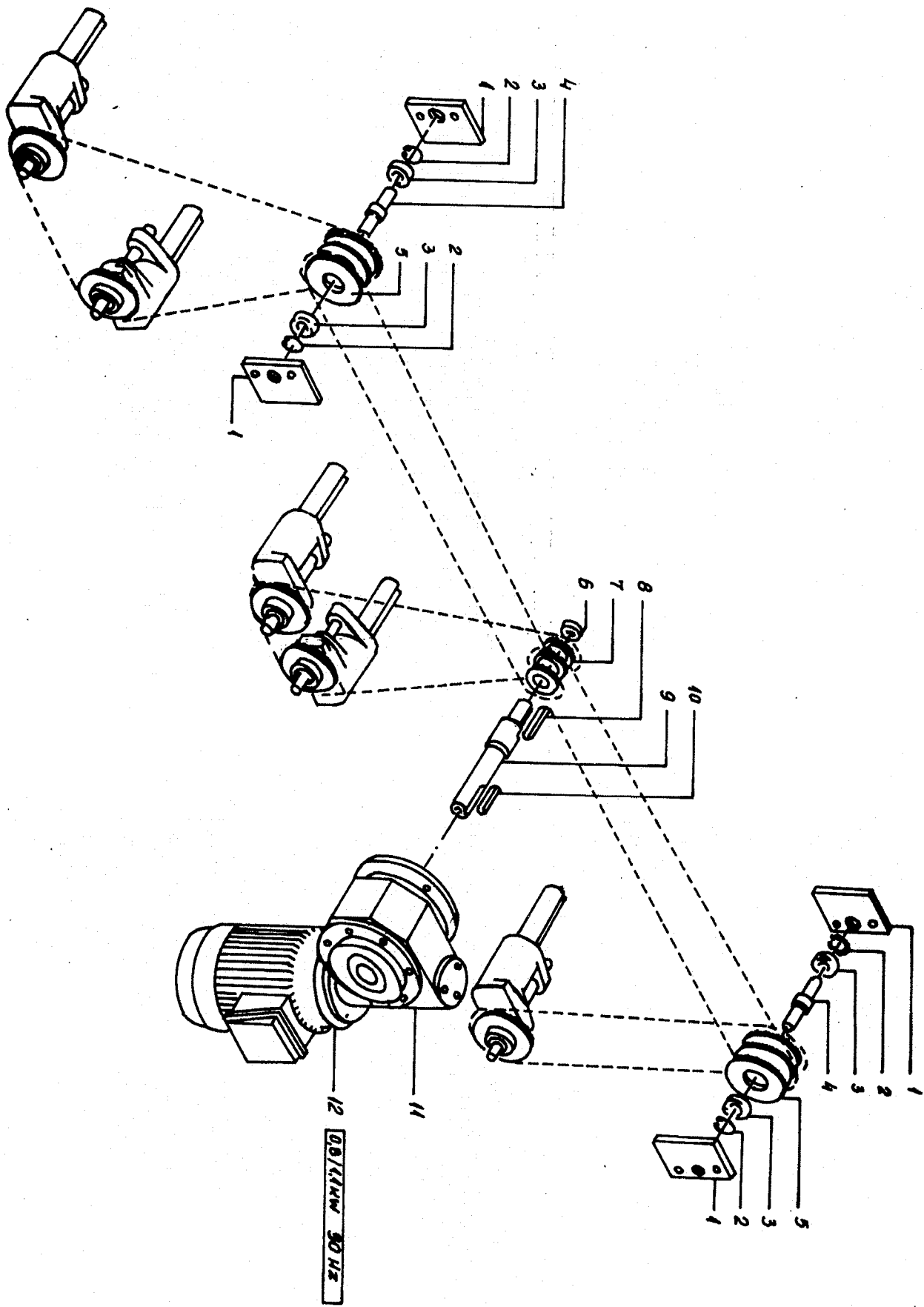


Fig. H14-0

PUTTING THE FEEDING ROLLERS IN MOTION

Fig. H15-0

FEEDING ROLLERS

