

SPINDLE MOULDER

FSN 300

Spare part catalogue

For serviceman

April 14, 2003

ROJEK

Woodworking Machinery
Masarykova 16
517 50 Castolovice
Czech Republic

Tel.: +420 494 339 137-41
Fax: +420 494 323 341
E-mail: export@rojek.cz
www.rojek.cz

ND 101:

- 20 - External earthing screw
- 21 - Internal earthing screw with nut
- 101 - Body
- 111 - Switch holder
- 112 - Plates

ND 102:

- 102 - Table
- 103 - Table spacing rings

ND 103:

- 104 - Body of spindle moulder
- 105 - Milling spindle head
- 106 - Spindle Ø30mm; clamping head
- 107 - Motor of spindle moulder
- 108 - Height adjustment
- 109 - Tilting
- 110 - Lower suction

ND 109:

- 140 - Table extension

ND 111:

- 110 - Lower suction
- 113 - Carrying cover

ND 112:

- 114 - MORI woodpresser (MORI)

ND 113:

- 116 - Spindle Ø50mm; clamping head
- 117 - Spindle Ø5/4" (31,75 mm); clamping head
- 118 - Spindle Ø40mm; clamping head
- 119 - Spindle Ø35mm; clamping head
- 120 - Spindle Ø5/4" / 3/4" + fixing nut

ND 114:

- 115 - Spindle Ø30 mm; clamping head + chuck for router bits
- 121 - Spindle Ø5/4" clamping head + chuck for router bits
- 122 - Spindle Ø40 mm; clamping head + chuck for router bits
- 127 - Exch. spindle Ø30mm; clamping head + chuck for router bits
- 128 - Exch. spindle Ø35mm; clamping head + chuck for router bits
- 129 - Exch. spindle Ø5/4"; clamping head + chuck for router bits

ND 115:

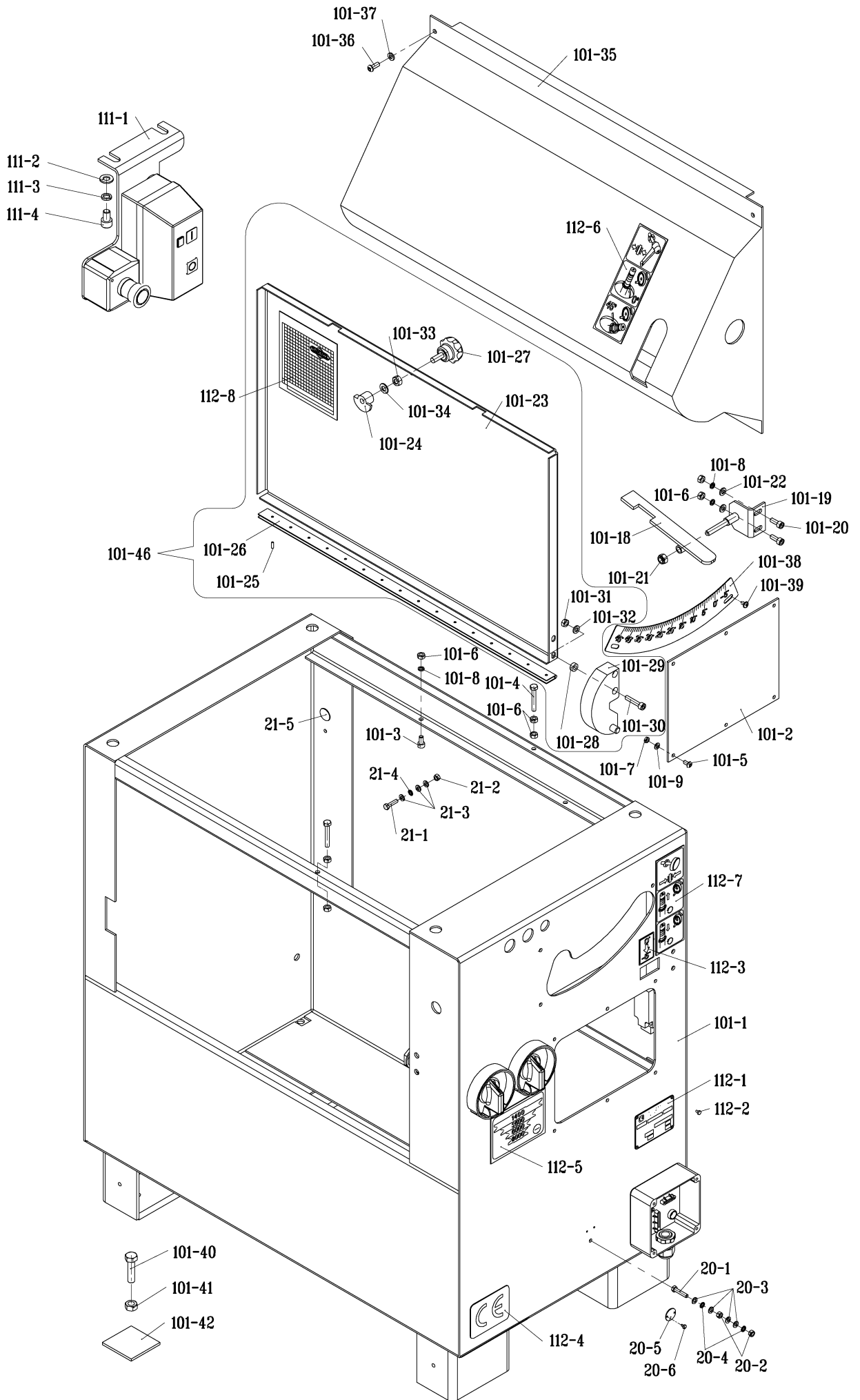
- 123 - Exch. spindle Ø30mm; clamping head
- 124 - Exch. spindle Ø40mm; clamping head
- 125 - Exch. spindle Ø50mm; clamping head
- 126 - Exch. spindle Ø35mm; clamping head
- 130 - Exch. spindle Ø5/4" / 3/4"; clamping head
- 131 - Exch. spindle Ø5/4" / 1"; clamping head
- 132 - Exch. spindle Ø5/4" / 1" x 4"; clamping head

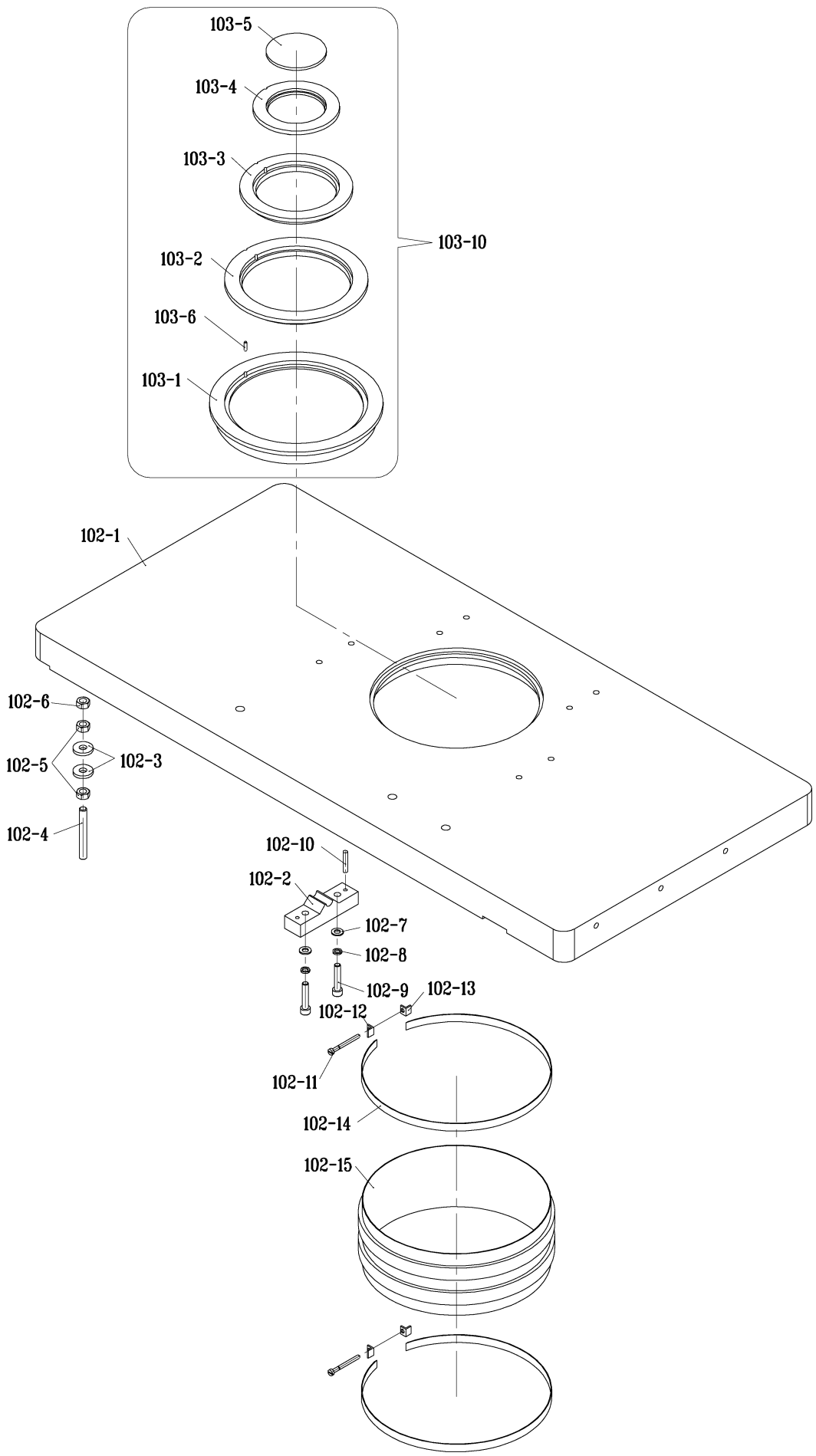
ND 117:

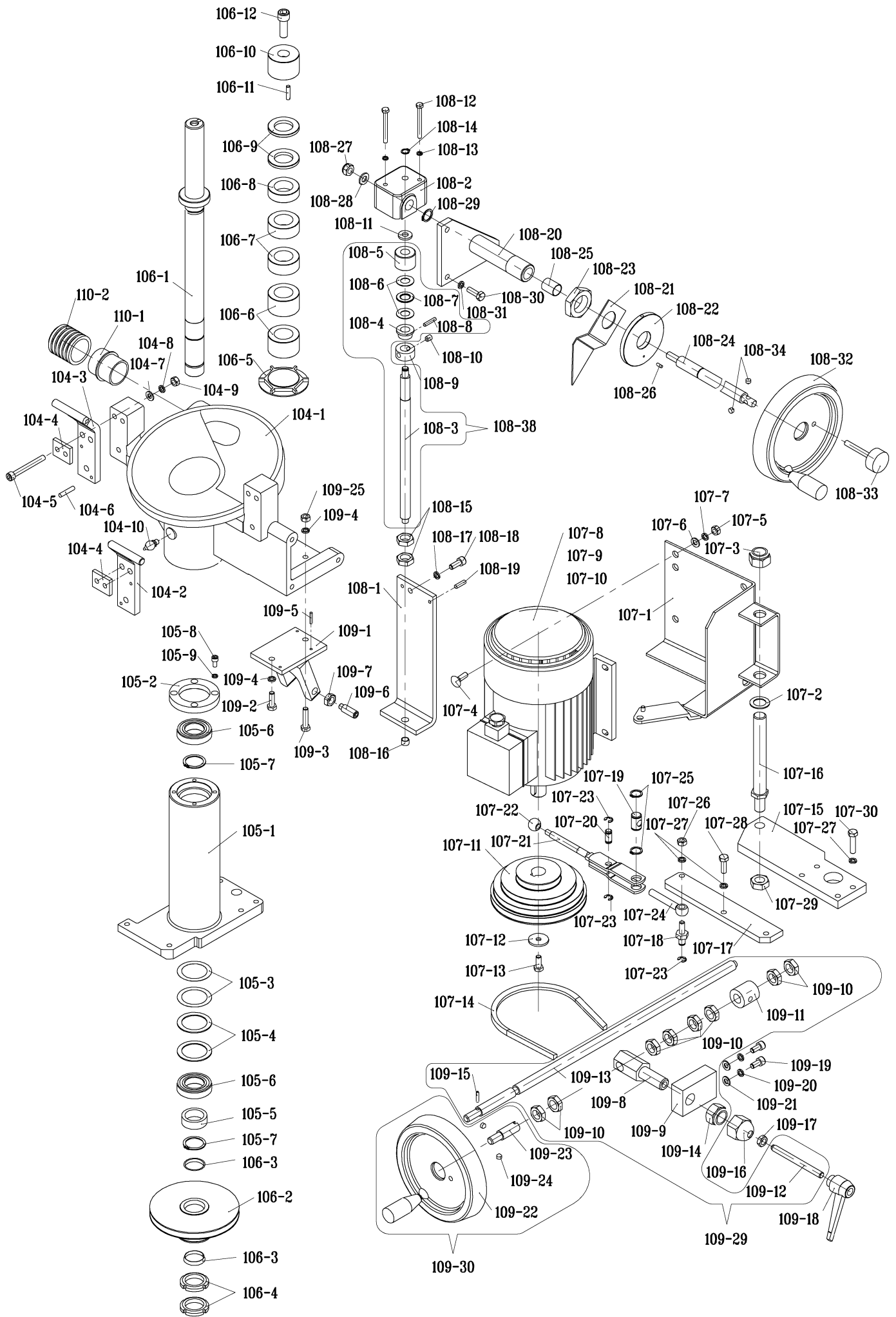
- 139 - Tenoning plate for short workpieces
- 142 - Tenoning protection

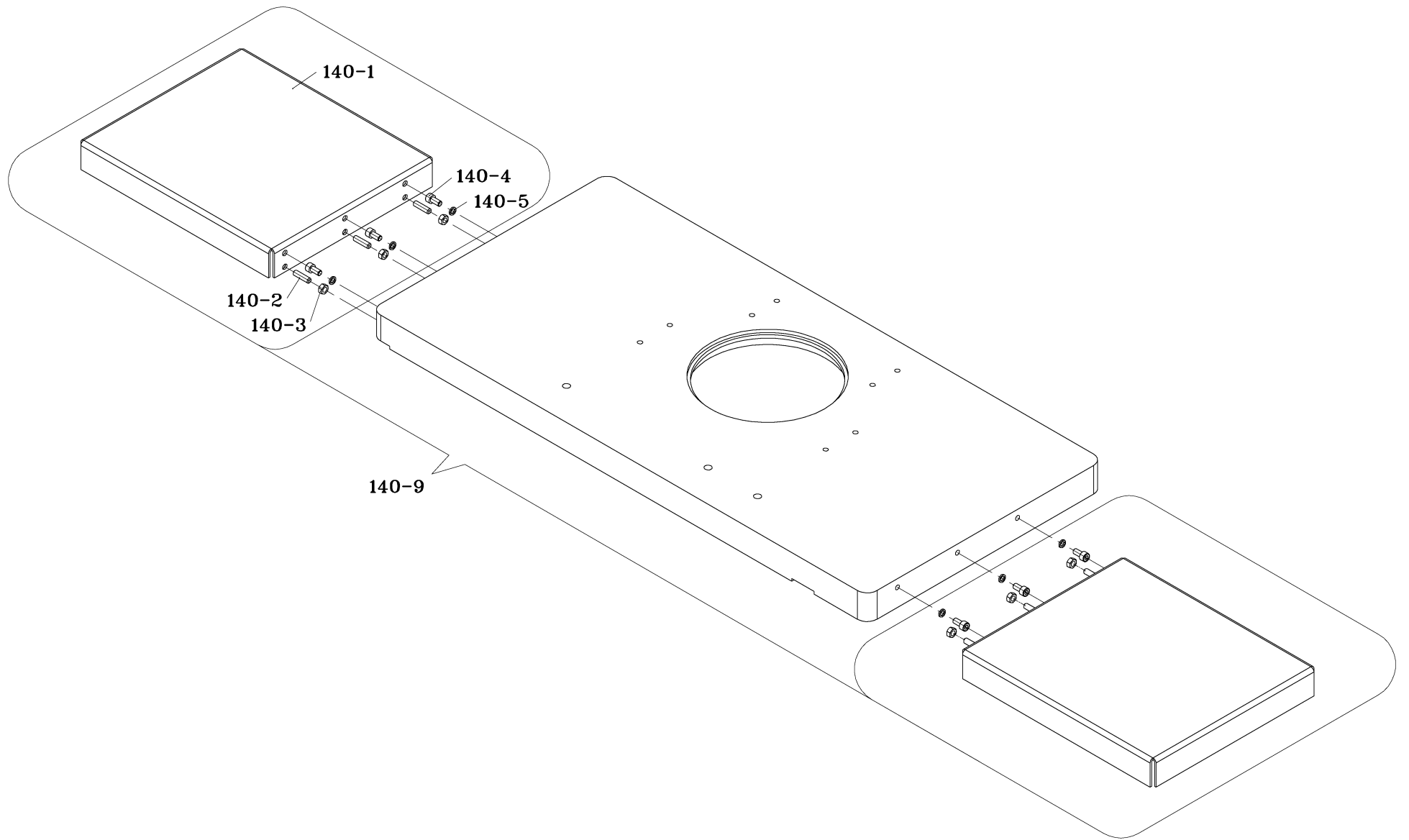
143 - Safety protection for round profiles

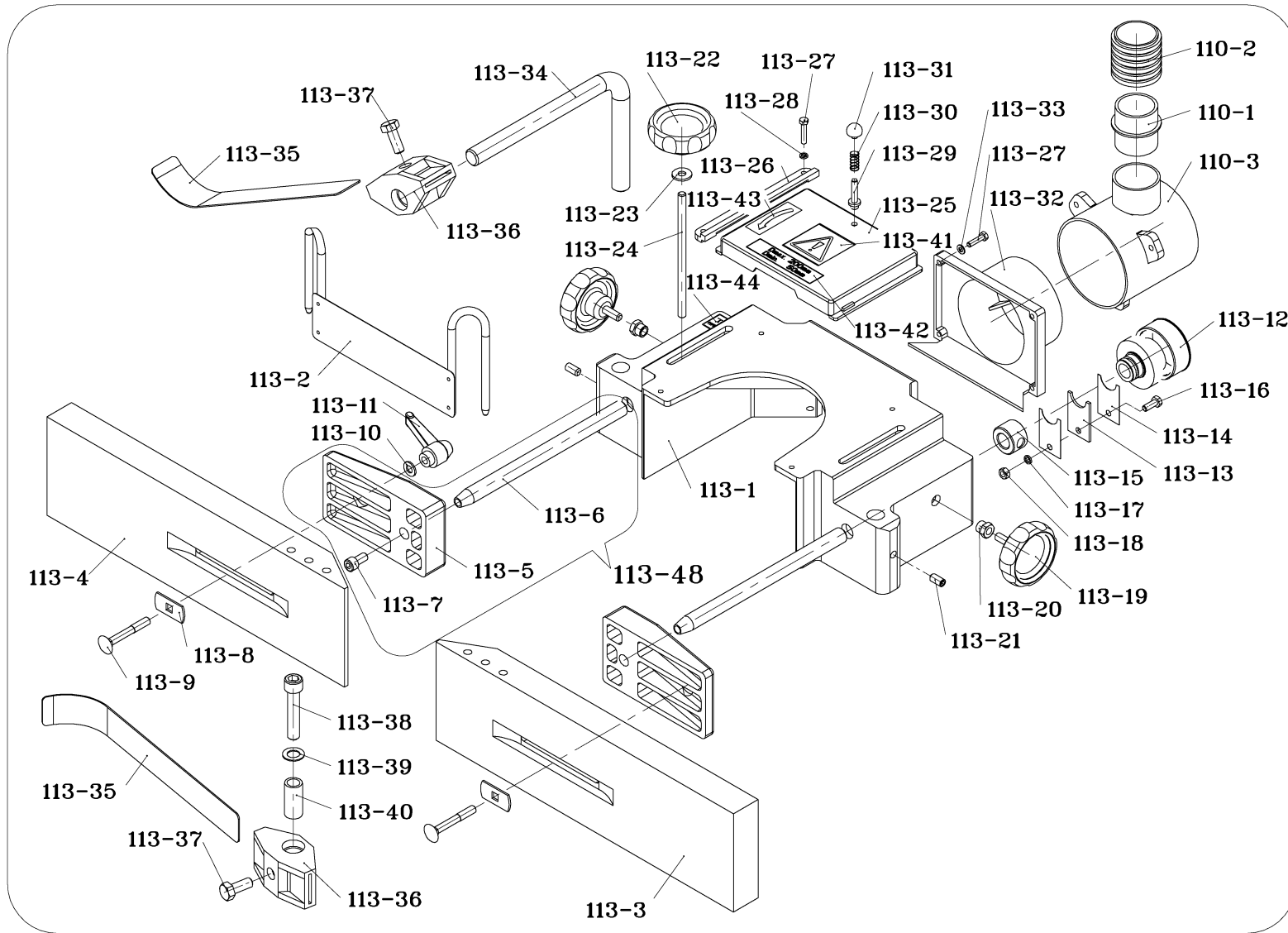
145 - Table extension for feeder



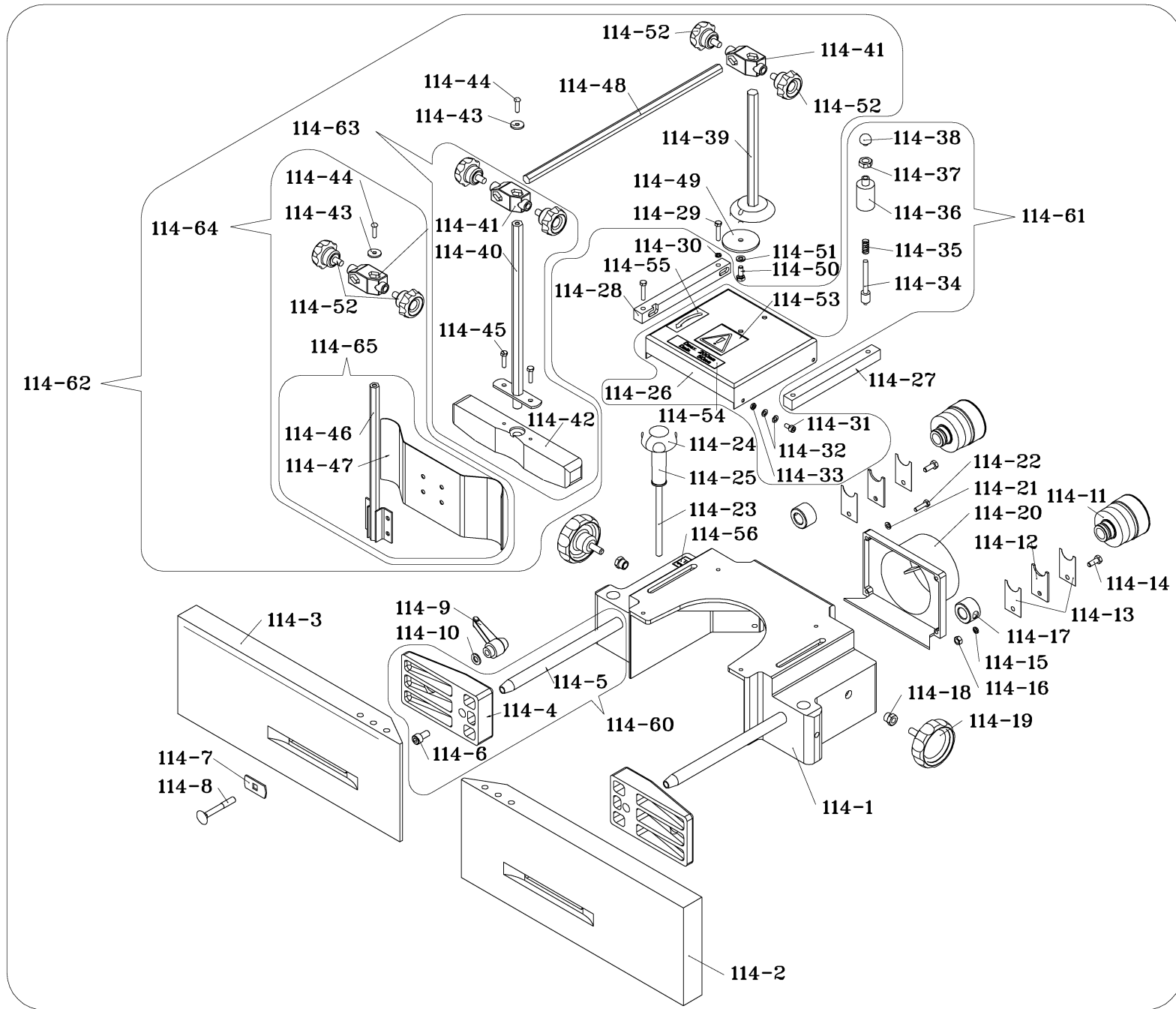




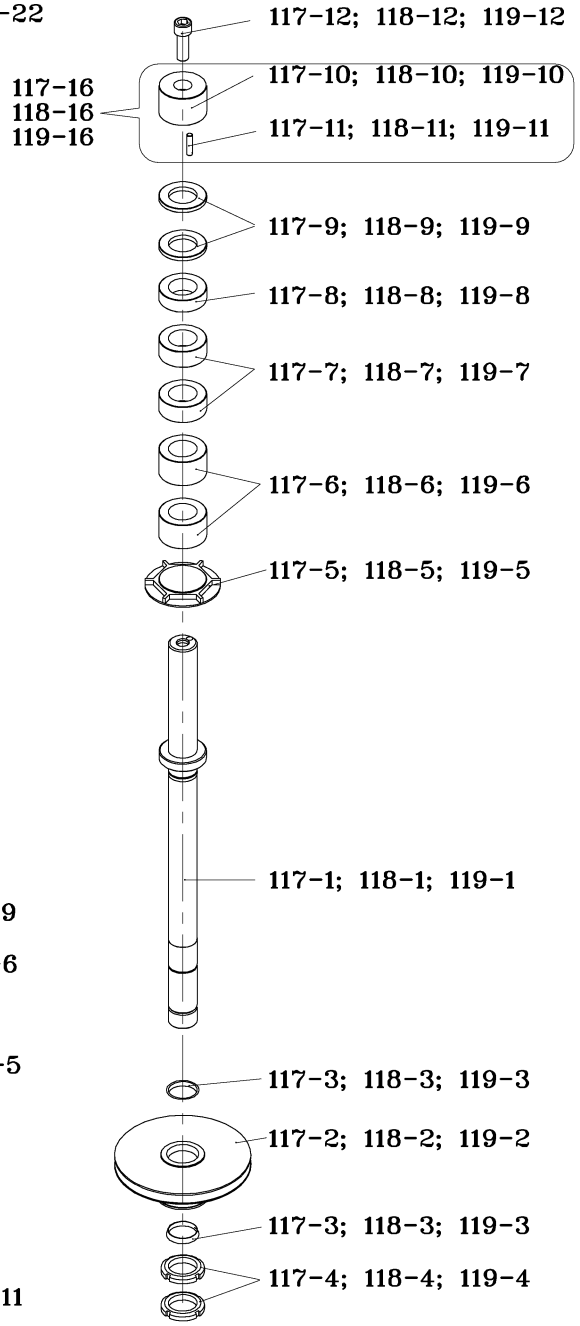
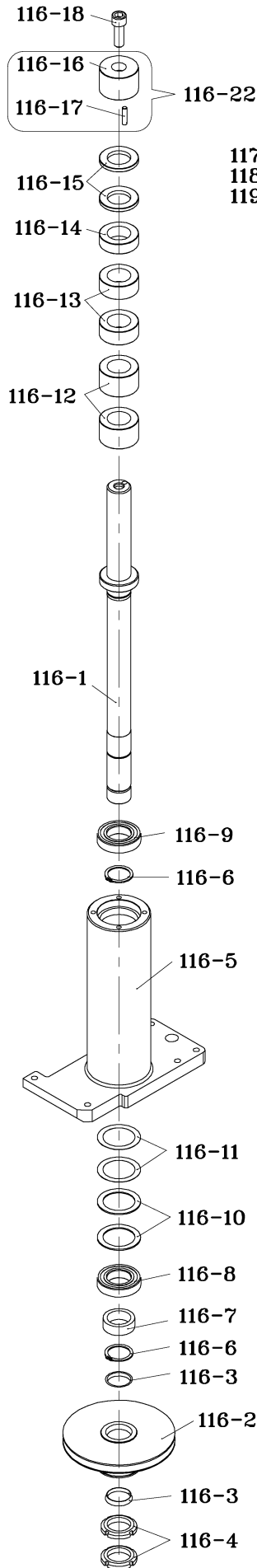
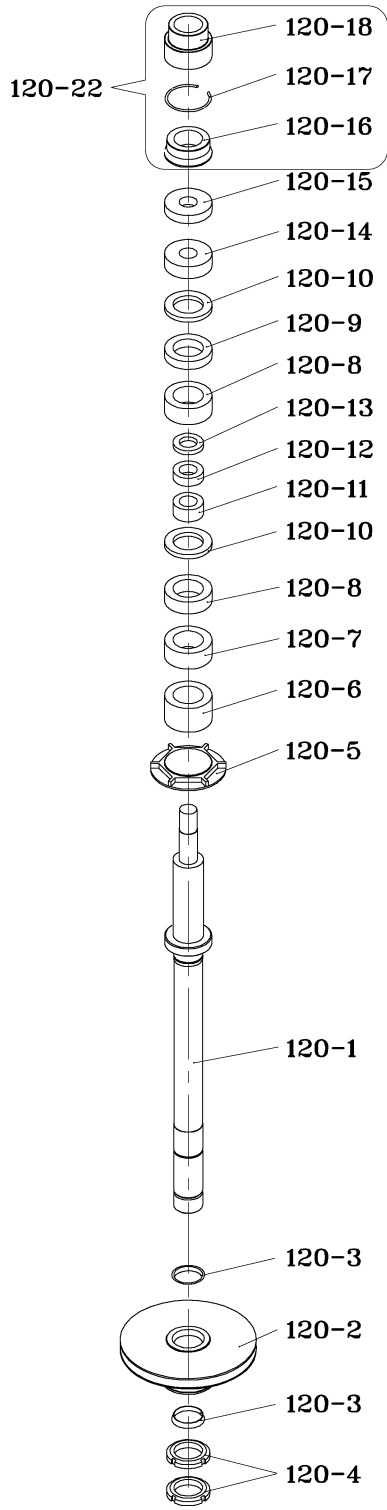


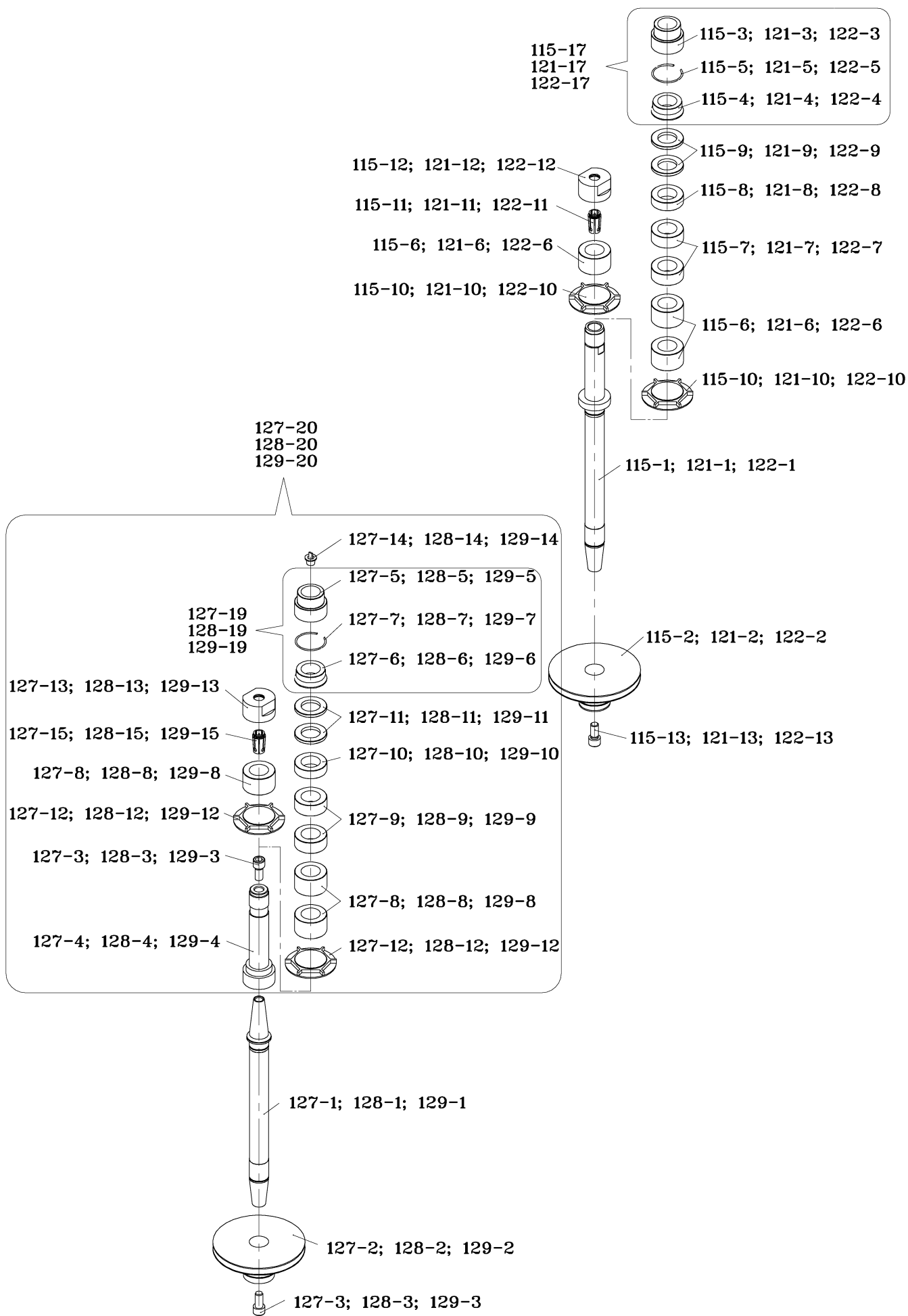


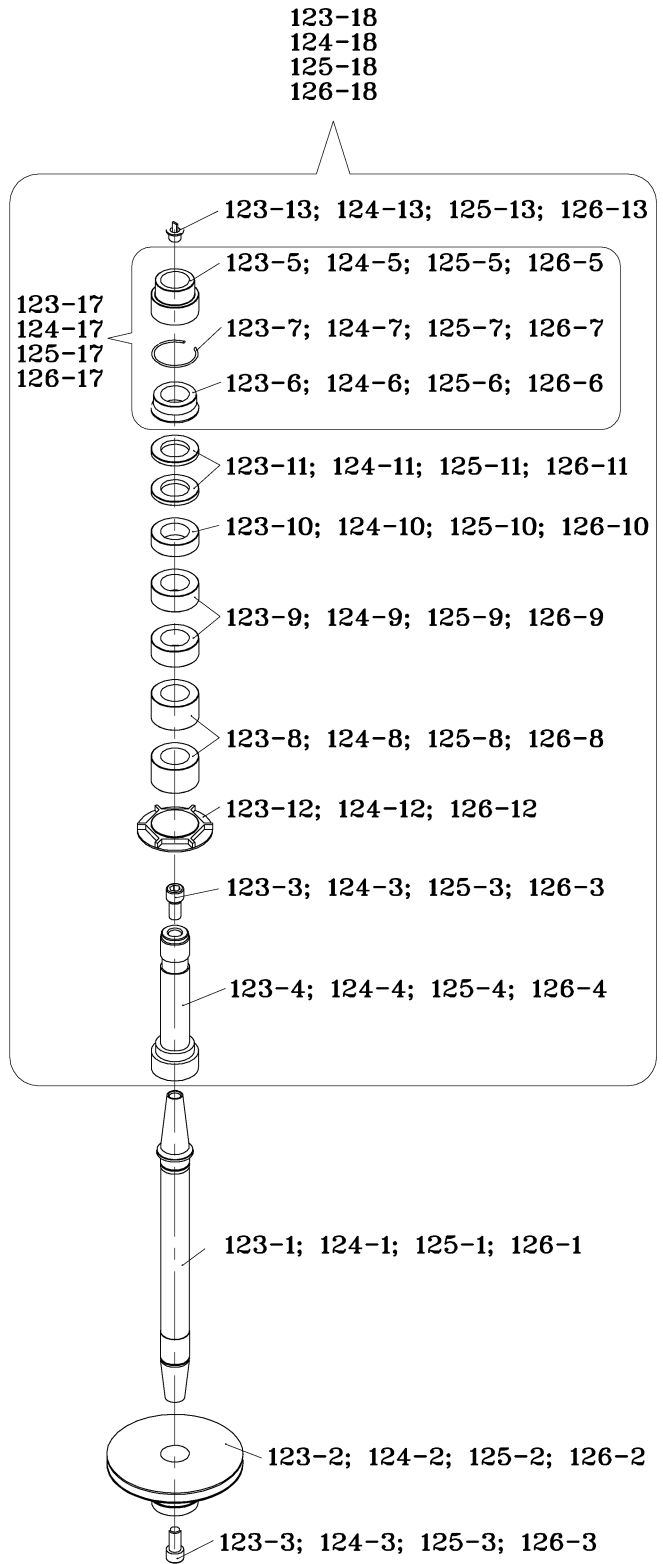
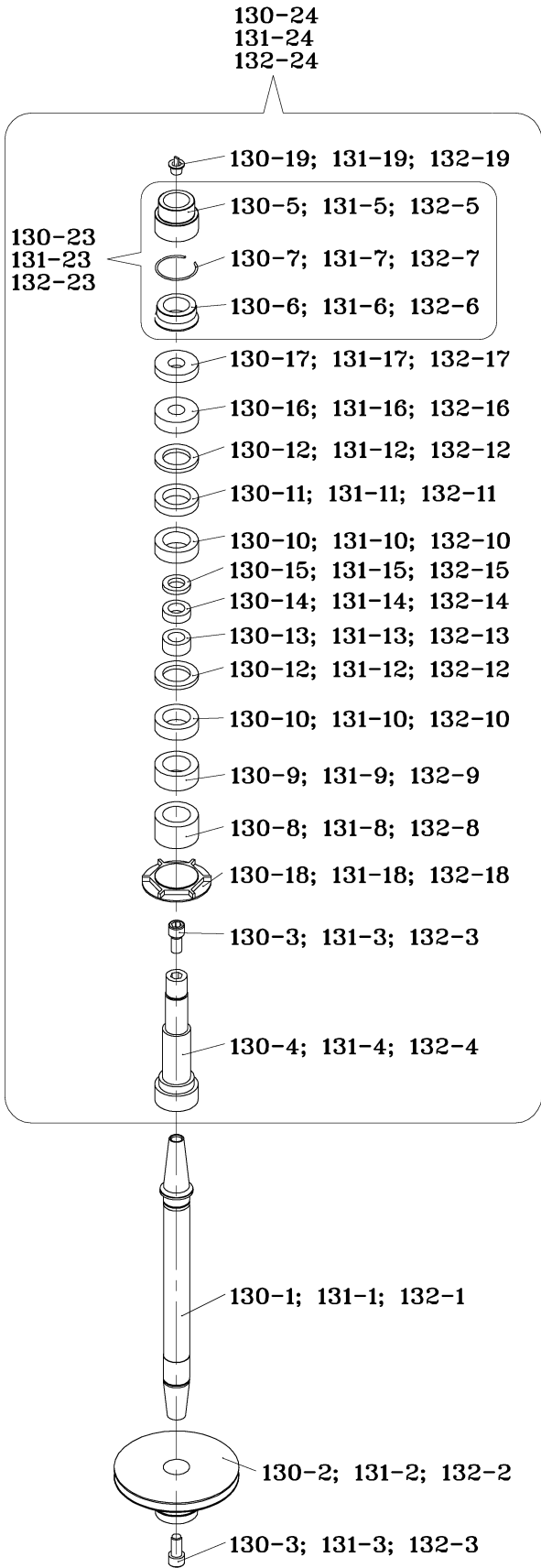
113-49

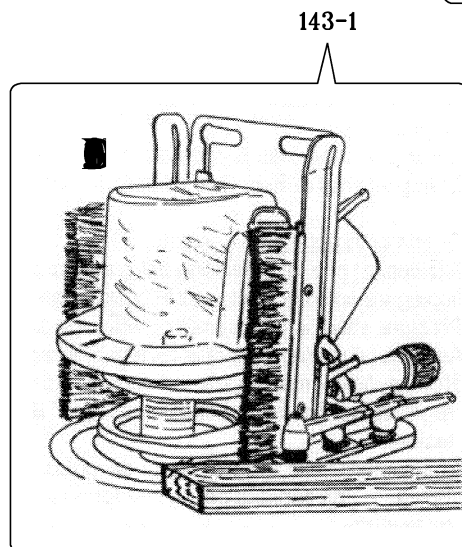
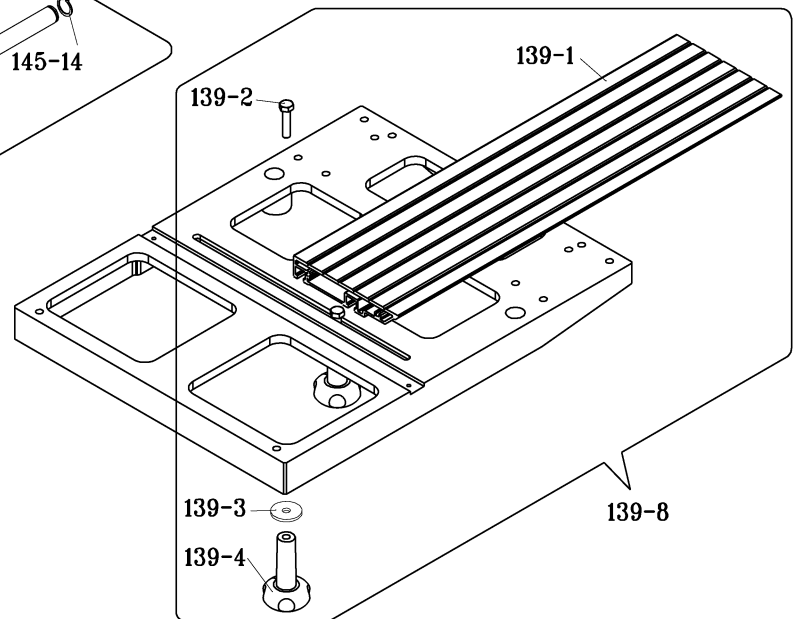
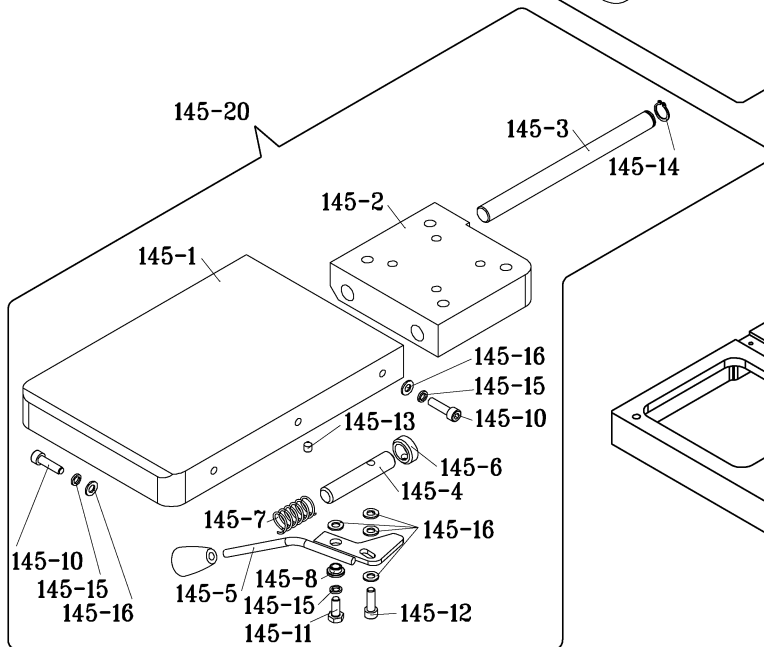
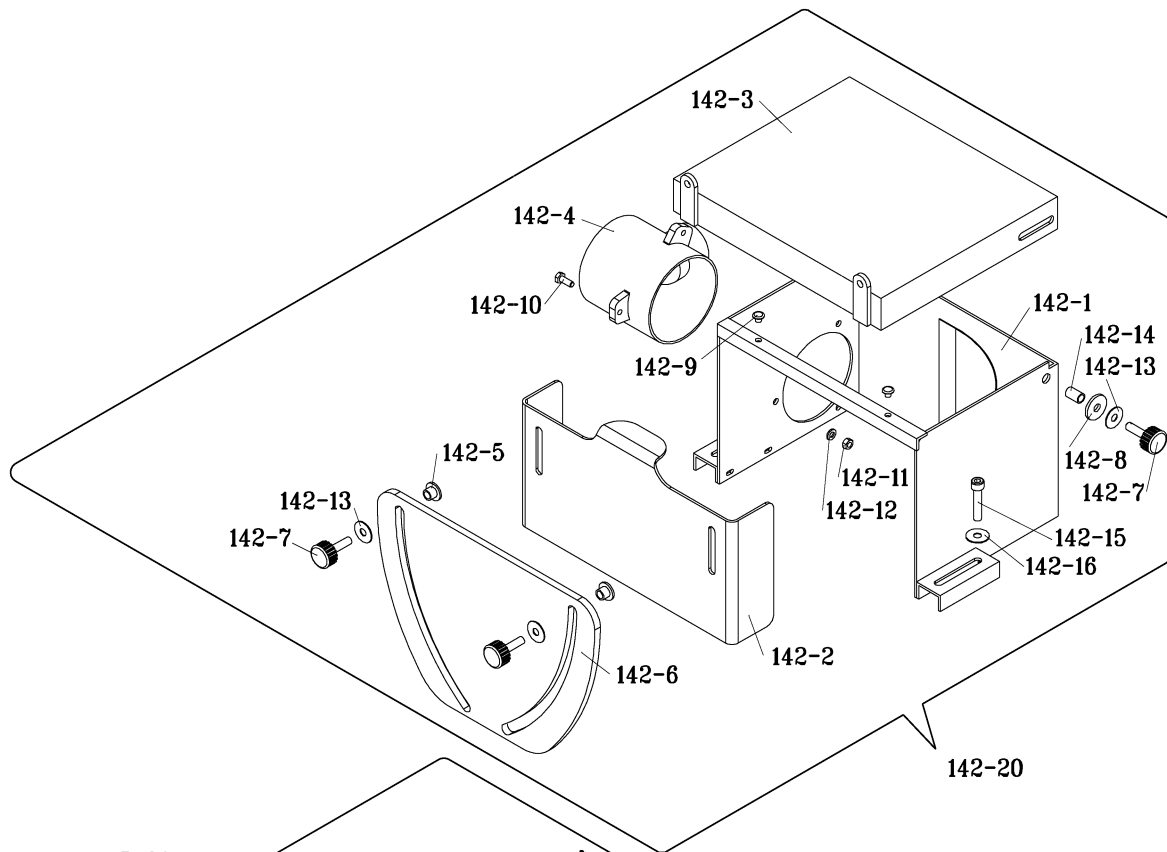


114-66









SPINDLE MOULDER FSN 300					
Position	Description	Norm	Stock number	pc	Note
20	External earthing screw				
20-1	Screw 5 x 25	ČSN 02 1103.8	6 311 816 076 800	1	
20-2	Nut M5	ČSN 021401.8	6 311 826 002 000	2	
20-3	Washer 5,3	ČSN 02 1702.50	6 311 836 011 100	4	
20-4	Washer 5,3	ČSN 02 1744.05	6 311 131 767 300	2	
20-5	Metal plate earthing		6 548 232 010 020	1	
20-6	Drive screw 2,9 x 6,5	DIN 27 410	6 311 151 170 900	2	
21	Internal earthing screw with nut				
21-1	Screw 5 x 25	ČSN 02 1103.8	6 311 816 076 800	1	
21-2	Nut M5	ČSN 021401.8	6 311 826 002 000	1	
21-3	Washer 5,3	ČSN 02 1702.50	6 311 836 011 100	3	
21-4	Washer 5,3	ČSN 02 1744.05	6 311 131 767 300	1	
21-5	Label EARTHING		6 548 232 010 000	1	
101	Body				
101-1	Body	(2307101)	7 230 710 100 000	1	
101-2	Sight-glass		3 320 170.1	1	
101-3	Screw M6 x 12	ČSN 021143.55	6 309 543 143 000	2	
101-4	Screw M6 x 40	ČSN 02 1103.25	6 309 203 079 500	2	
101-5	Screw M5 x 10	ISO 7380	6 310 101 006 110	6	
101-6	Nut M6	ČSN 02 1401.25	6 311 122 702 200	8	
101-7	Nut M5	ČSN 02 1403.25	6 311 122 721 500	6	
101-8	Washer 6,1	ČSN 02 1740.05	6 311 131 765 600	4	
101-9	Washer 5,3	ČSN 02 1702.15	6 311 131 711 100	6	
101-10					
101-11					
101-12					
101-13					
101-14					
101-15					
101-16					
101-17					
101-18	Stop of vertical position		2 320 122.1	1	
101-19	Stop bracket		2 320 123	1	
101-20	Screw M6 x 16	ČSN 02 1143.55	6 309 543 260 616	2	
101-21	Nut M8	ČSN 02 1492.25	6 311 123 901 000	1	
101-22	Washer 6,4	ČSN 02 1702.15	6 311 131 711 200	2	
101-23	Detachable cover		3 321 102	1	
101-24	Eccenter		3 220 616	1	
101-25	Rivet 3,2 x 10		6 311 868 232 300	16	
101-26	Flat hinge	L = 600 mm	6 549 450 320 000	1	

SPINDLE MOULDER FSN 300					
Position	Description	Norm	Stock number	pc	Note
101-27	Rosette Ø40		6 321 461 100 100	1	
101-28	Washer		3 320 124	2	
101-29	Door cam		2 900 119.3	1	
101-30	Screw M6 x 30	ČSN 02 1143.55	6 311 113 643 200	2	
101-31	Nut M6	ČSN 02 1401.25	6 311 122 702 200	2	
101-32	Washer 6,4	ČSN 02 1702.15	6 311 131 711 200	2	
101-33	Nut M8	ČSN 02 1401.25	6 311 122 702 600	1	
101-34	Washer 8,4	ČSN 02 1702.15	6 311 131 711 300	1	
101-35	Side cover		3 319 102	1	R
101-35	Side cover		3 319 104	1	G
101-36	Screw M6 x 12	ISO 7380	6 310 101 006 120	4	
101-37	Washer 6,4	ČSN 02 1702.15	6 311 131 711 200	4	
101-38	Angle indication		3 920 121	1	
101-39	Screw M4 x 8	METALVIS 05860 ZB	6 309 201 004 800	2	
101-40	Screw M10 x 40	ČSN 02 1103.25	6 309 203 083 400	4	
101-41	Nut M10	ČSN 02 1401.25	6 311 122 702 800	4	
101-42	Plate		3 155 920	4	
101-43					
101-44					
101-45					
101-46	Swing away door		2 321 102k	1	
102	Table				
102-1	Table plate		3 320 201.1	1	
102-2	Holder of tilting pin		3 320 202	2	
102-3	Washer 10,5	DIN 7349	6 311 131 125 500	8	
102-4	Screw M10 x 80	DIN 913 ZB	6 310 111 009 100	4	
102-5	Nut M10	ČSN 021401.25	6 311 122 702 800	8	
102-6	Nut M10	ČSN 02 1403.25	6 311 122 722 410	4	
102-7	Washer 8,4	ČSN 02 1702.15	6 311 131 711 300	4	
102-8	Washer 8,2	ČSN 02 1740.05	6 311 131 765 700	4	
102-9	Screw M8 x 40	ČSN 02 1143.55	6 309 543 250 400	4	
102-10	Pin 6 x 30	DIN 7344 FST	6 311 151 066 130	4	
102-11	Screw M5 x 50	DIN 84 ZB	6 309 231 170 850	2	
102-12	Connection without thread		6 311 229 009 800	2	
102-13	Connection with thread		6 311 229 009 700	2	
102-14	Band with clip=12	l=850	6 311 300 012 000	2	
102-15	Hose GREYDEC 100	Ø254-250	6 283 321 002 015	1	

SPINDLE MOULDER FSN 300					
Position	Description	Norm	Stock number	pc	Note
103	Table spacing rings				
103-1	Big spacing ring I.		3 308 204	1	
103-2	Big spacing ring		3 900 202	1	
103-3	Medium spacing ring		3 900 203	1	
103-4	Small spacing ring		3 900 204	1	
103-5	Middle ring		7 390 020 600 000	1	
103-6	Pin 4 x 12	DIN 7344 FST	6 311 151 065 960	3	
103-7					
103-8					
103-9					
103-10	Table spacing rings		2 308 201k	1	
104	Body of spindle moulder				
104-1	Body of tilting		3 320 301.2	1	
104-2	Right hinge		2 320 303	1	
104-3	Left hinge		2 320 304	1	
104-4	Distance plate		3 320 305	2	
104-5	Screw M8 x 70	ČSN 02 1143.55	6 311 113 646 000	6	
104-6	Pin 6 x 30	DIN 7344 FST	6 311 151 066 130	4	
104-7	Washer 8,4	ČSN 02 1702.15	6 311 131 711 300	6	
104-8	Washer 8,2	ČSN 02 1740.05	6 311 131 765 700	6	
104-9	Nut M8	ČSN 02 1401.25	6 311 122 702 600	6	
104-10	Lubricating head KM8x1	Typ 01 378	6 425 111 006 008	1	
105	Milling spindle head				
105-1	Telescopic pin		3 320 302.1	1	
105-2	Ring		3 900 435	1	
105-3	Distance washer		3 900 428	5	
105-4	Plate spring II.		3 900 424	2	
105-5	Distance ring		3 900 413	1	
105-6	Bearing 6006 2RZ	SKF	6 324 165 560 100	2	
105-7	Safety ring 30	ČSN 02 2930	6 311 173 079 000	2	
105-8	Screw M6 x 12	ČSN 02 1143.55	6 309 543 143 000	4	
105-9	Washer 6,1	ČSN 02 1740.05	6 311 131 765 600	4	
106	Spindle Ø30mm; clamping head				
106-1	Spindle		3 900 404	1	
106-2	Spindle pulley		7 390 040 510 000	1	1400; 3500; 6000; 8000/min; 50Hz
106-2	Spindle pulley		3 902 631	1	1400; 3500; 6000; 8000/min; 60Hz
106-2	Spindle pulley		3 900 405.2	1	1000; 3500; 6000;

SPINDLE MOULDER FSN 300					
Position	Description	Norm	Stock number	pc	Note
					8000/min; 50Hz
106-3	Conic ring		3 900 412	2	
106-4	Nut KM 6	ČSN 02 3630	6 324 971 000 600	2	
106-5	Screw		2 320 399.1	1	
106-6	Distance ring 30		3 900 460	2	
106-7	Distance ring 20		3 900 459	2	
106-8	Distance ring 15		3 900 458	1	
106-9	Distance ring 5		3 900 456	2	
106-10	Head		3 900 457	1	
106-11	Pin 6 x 25	ČSN 02 2152	6 311 151 079 300	1	
106-12	Screw M12 x 35	ČSN 02 1143.55	6 311 113 648 800	1	
107	Motor of spindle moulder				
107-1	Motor holder		2 320 310.1	1	7 232 031 010 000
107-2	Plate spring		3 900 423	1	
107-3	Nut M 20 x 1,5	ČSN 02 1492.25	6 311 123 904 500	1	
107-4	Screw M8 x 30	ČSN 02 1319	6 311 111 172 230	4	
107-5	Nut M8	ČSN 02 1401.25	6 311 122 702 600	4	
107-6	Washer 8,4	ČSN 02 1702.15	6 311 131 711 300	4	
107-7	Washer 8,2	ČSN 02 1740.05	6 311 131 765 700	4	
107-8	Electric motor			1	According to the execution 1f-2,2kW 50(60)Hz 3f-2,2;3;3,7 kW 50(60)Hz
107-9	Motor plate			1	According to electric motor
107-10	Earthing cable - assembly			1	
107-11	Motor pulley		7 390 041 910 000	1	1400; 3500; 6000; 8000/min 50Hz
107-11	Motor pulley		3 902 632	1	1400; 3500; 6000; 8000/min 60Hz
107-11	Motor pulley		3 900 419.2	1	1000; 3500; 6000; 8000/min 50Hz
107-11	Motor pulley		3 900 419.5	1	1400; 3500; 6000; 8000; 10000/min 50Hz
107-11	Motor pulley		3 902 632.5	1	1400; 3500; 6000; 8000; 10000/min 60Hz

SPINDLE MOULDER FSN 300					
Position	Description	Norm	Stock number	pc	Note
107-12	Washer of belt pulley		3 900 420	1	
107-13	Screw M8 x 20	ČSN 02 1103.15	6 309 203 081 400	1	
107-14	V-belt SPZ 925 La	ČSN 023112	6 272 711 002 510	1	
107-15	Flat steel		3 320 365.1	1	
107-16	Pin of motor holder		3 320 312.1	1	
107-17	Flat steel of belt tensioner		3 320 328	1	
107-18	Pin of tensioner		3 320 327.1	1	
107-19	Stone		3 900 432	1	
107-20	Pin		3 300 129	1	
107-21	Tensioning lever		2 300 128.1	1	
107-22	Ball	ČSN 02 5181.21	6 321 461 202 100	1	
107-23	Ring 7	ČSN 02 2929.01	6 311 173 070 900	3	
107-24	Screw with eye M10 x 50		6 309 255 000 500	1	
107-25	Ring 16	ČSN 02 2930.01	6 311 173 076 600	2	
107-26	Nut M8	ČSN 02 1401.25	6 311 122 702 600	1	
107-27	Washer 8,2	ČSN 02 1740.05	6 311 131 765 700	7	
107-28	Screw M8 x 25	ČSN 02 1103.25	6 309 203 081 450	2	
107-29	Nut M16 x 1,5	ČSN 02 1403.25	6 311 122 724 100	1	
107-30	Screw M8 x 35	ČSN 02 1101.25	6 309 201 016 800	4	
108	Height adjustment				
108-1	Stop		3 920 430	1	
108-2	Case of screw wheels		3 900 416.1	1	
108-3	Trapez - screw of lifting		3 900 409.1	1	
108-4	Bronze bearing		3 900 411	1	
108-5	Spiral wheel		3 900 415	1	
108-6	Axial ring	AS 1528	6 324 165 560 110	2	
108-7	Axial needle bearing	AXK 1528	6 324 165 560 120	1	
108-8	Pin 5 x 24	DIN 7344 FST	6 311 151 072 900	1	
108-9	Setting ring		7 390 041 000 000	1	
108-10	Screw M8 x 10	ČSN 02 1187.72	6 311 112 301 000	2	
108-11	Ring		3 612 007	1	
108-12	Screw M6 x 60	ČSN 02 1101.25	6 309 201 014 760	2	
108-13	Washer 6,1	ČSN 02 1740.05	6 311 131 765 600	2	
108-14	Ring 10	ČSN 02 2930	6 311 173 075 500	1	
108-15	Nut		3 320 333	2	
108-16	Casing KU 1008	ČSN 02 3406	6 323 251 101 480	1	
108-17	Washer 8,2	ČSN 02 1740.05	6 311 131 765 700	1	
108-18	Screw M8 x 20	ČSN 02 1143.55	6 311 113 644 600	1	

SPINDLE MOULDER FSN 300					
Position	Description	Norm	Stock number	pc	Note
108-19	Pin 6 x 20	ČSN 02 2153	6 311 151 100 200	2	
108-20	Pinion holder		2 320 306	1	
108-21	Indicator		3 920 307	1	
108-22	Brake support		3 320 308	1	
108-23	Nut of indicator		3 320 309	1	
108-24	Screw pinion		3 320 314.1	1	
108-25	Casing 18x20-25 KU	ČSN 02 3406	6 323 251 181 980	1	
108-26	Pin 4 x 10	DIN 7344 FST	6 311 151 065 956	1	
108-27	Nut M10	ČSN 02 1492.25	6 311 123 901 100	1	
108-28	Washer 10,5	ČSN 02 1702.15	6 311 131 711 400	1	
108-29	Ring 18	ČSN 02 2930	6 311 173 077 200	1	
108-30	Screw M8 x 25	ČSN 02 1103.25	6 309 203 081 450	3	
108-31	Washer 8,2	ČSN 02 1740.05	6 311 131 765 700	3	
108-32	Operating wheel 970	Ø175; Ø12H7	6 321 465 001 250	1	
108-33	Rosette of operation wheel	M8 x 60	6 321 465 001 245	1	
108-34	Screw M8 x 16	DIN 914	6 310 101 005 997	2	
108-35					
108-36					
108-37					
108-38	Screw Tr 16 x 4		2 900 401k	1	
109	Tilting				
109-1	Welded plate		2 320 315	1	
109-2	Screw M8 x 25	ČSN 02 1103.25	6 309 203 081 450	1	
109-3	Screw M8 x 35	ČSN 02 1101.25	6 309 201 016 800	1	
109-4	Washer 8,2	ČSN 02 1740.05	6 311 131 765 700	2	
109-5	Pin 4 x 20	DIN 7344 FST	6 311 151 066 000	2	
109-6	Screw - screw		3 320 316	2	
109-7	Nut M12	ČSN 02 1403.25	6 311 122 722 450	2	
109-8	Stone		3 900 330.1	1	
109-9	Block		3 900 331.1	1	
109-10	Stop nut		3 900 329	8	
109-11	Motion nut		3 320 320	1	
109-12	Bronze screw		3 920 321	1	
109-13	Screw of tilting		3 320 322.1	1	
109-14	Nut M20 x 1,5	ČSN 02 1492.25	6 311 123 904 500	1	
109-15	Pin 4 x 20	DIN 7344	6 311 151 066 000	1	
109-16	Cover-piece		3 901 300	1	
109-17	Nut M10	ČSN 02 1401.25	6 311 122 702 800	1	
109-18	Adjustable handle M10	ART. 522-83	6 321 870 000 000	1	

SPINDLE MOULDER FSN 300					
Position	Description	Norm	Stock number	pc	Note
109-19	Screw M8 x 16	ČSN 02 1143.55	6 311 113 644 500	2	
109-20	Washer 8,2	ČSN 02 1740.05	6 311 131 765 700	2	
109-21	Washer 8,4	ČSN 02 1702.15	6 311 131 711 300	2	
109-22	Operating wheel of plastic	ART. 970 - 170 (12H7)	6 321 465 001 250	1	
109-23	Extension piece		3 920 384	1	
109-24	Screw M8 x 16	DIN 914 ZB	6 310 101 005 997	2	
109-25	Nut M8	ČSN 02 1401.25	6 311 122 702 600	1	
109-26					
109-27					
109-28					
109-29	Screw of tilting		2 319 301	1	
109-30	Exchangable operating wheel		2 920 308k	1	
110	Lower suction				
110-1	End piece		3 900 651	2	6 321 821 300 651
110-2	Hose TOMIFLEX; Ø40/50	L=1300 mm	6 283 321 002 000	1	
110-3	Adapted hood		3 900 751	1	
111	Switch holder				
111-1	Switch holder		3 320 810.1	1	- central stop
111-1	Switch holder		3 320 810.5	1	+ central stop
111-2	Washer 10,5	ČSN 02 1702.15	6 311 131 711 400	2	
111-3	Washer 10,2	ČSN 02 1740.05	6 311 131 765 800	2	
111-4	Screw M10 x 20	ČSN 02 1143.55	6 311 113 646 700	2	
112	Plates				
112-1	Production plate			1	According to the execution
112-2	Drive screw	DIN 27 410	6 311 151 170 900	4	
112-3	Stop of vertical position		6 548 232 110 600	1	
112-4	Sticker CE		6 548 232 007 015	1	
112-5	Setting of speeds		6 548 232 162 170	1	1400;3500;6000; 8000/min
112-5	Setting of speeds		6 548 232 162 180	1	1400;3500;6000; 8000;10000/min
112-6	Tilting of spindle moulder		6 548 232 162 210	1	
112-7	Spindle lifting		6 548 232 162 211	1	
112-8	Optimal speed range		6 548 232 100 047	1	

SPINDLE MOULDER FSN 300					
Position	Description	Norm	Stock number	pc	Note
113	Carrying cover				
113-1	Carrying cover		3 900 501	1	
113-2	Tenoning safety guard		2 320 503	1	For fences h = 160 mm
113-2	Tenoning safety guard		2 300 503.1	1	For fences h = 120 mm
113-3	Right fence h = 160 mm		3 320 504	1	6 415 504 320 504
113-3	Right fence h = 120 mm		6 415 504 240 300	1	6 415 504 240 300
113-4	Left fence h = 160 mm		3 320 505	1	6 415 504 320 505
113-4	Left fence h = 120 mm		6 415 504 240 310	1	6 415 504 240 310
113-5	Fence holder		3 300 502	2	
113-6	Lead screw		3 300 505	2	
113-7	Screw M8 x 16	ČSN 02 1143.55	6 311 113 644 500	2	
113-8	Square washer		3 300 509	2	
113-9	Screw M8 x 60	ČSN 02 1319.05	6 311 115 531 200	2	
113-10	Washer 8,4	ČSN 02 1702.15	6 311 131 711 300	2	
113-11	Adjustable handle M8	ART. 522-65	6 321 464 000 850	2	
113-12	Motion nut		2 300 506	2	
113-13	Plate		3 300 508	2	
113-14	Distance plate		3 900 508	4	
113-15	Ring		7 330 050 700 000	2	
113-16	Screw M6 x 16	ČSN 02 1103.25	6 309 203 260 614	2	
113-17	Washer 6,1	ČSN 02 1740.05	6 311 131 765 600	2	
113-18	Nut M6	ČSN 02 1401.25	6 311 122 702 200	2	
113-19	Rosette Ø68	2 600 008	6 321 461 100 750	2	
113-20	Casing with thread		3 900 513	2	
113-21	Screw M8 x 16	ČSN 02 1187.72	6 311 114 061 500	2	
113-22	Rosette Ø68	2 610 037	6 321 461 100 700	2	
113-23	Washer		3 300 511	2	
113-24	Screw of carrying cover		3 300 510	2	
113-25	Sliding cover		6 321 821 100 900	1	6 321 821 100 900
113-26	Guide		6 321 821 101 500	2	6 321 821 101 500
113-27	Screw M5 x 20	ČSN 02 1103.25	6 309 203 076 600	8	
113-28	Washer 5,1	ČSN 02 1740.05	6 311 131 765 500	4	
113-29	Safety pin		3 300 512	1	

SPINDLE MOULDER FSN 300					
Position	Description	Norm	Stock number	pc	Note
113-30	Spring		6 315 060 610 700	1	6 315 060 610 700
113-31	Ball 16	ČSN 02 5181.21	6 311 461 201 900	1	
113-32	Suction hood		6 321 821 300 150	1	6 321 821 300 150
113-33	Washer 5,3	ČSN 02 1702.15	6 311 131 711 100	4	
113-34	Bent bar		3 900 543	2	
113-35	Pressure plate		3 900 545	4	
113-36	Pressure body	ART. 251-90	6 321 821 101 600	4	
113-37	Screw M10 x 25	ČSN 02 1103.25	6 309 203 083 250	4	
113-38	Screw M12 x 60	ČSN 02 1143.55	6 311 113 649 455	2	
113-39	Insertion of pressure body		3 900 546	2	
113-40	Washer 13	ČSN 02 1746.05	6 311 131 777 820	2	
113-41	Sticker-sticker warning sign		6 548 232 007 100	1	
113-42	Sticker-max. tool diameter		6 548 232 010 240	1	
113-43	Sticker-sticker arrow		6 548 232 007 400	1	
113-44	Sticker-sticker - fence shift	3 900 599	6 548 232 100 110	2	
113-45					
113-46					
113-47					
113-48	Fence holder - assembly		2 300 540	1	
113-49	Carrying cover - carrying cover - pressure plate		2 320 500	1	h = 160 mm
113-49	Carrying cover - carrying cover - pressure plate		2 900 500	1	h = 120 mm
114	MORI woodpresser (MORI)				
114-1	Carrying cover		3 900 501	1	
114-2	Right fence h = 160 mm		3 320 504	1	6 415 504 320 504
114-2	Right fence h = 120 mm		6 415 504 240 300	1	6 415 504 240 300
114-3	Left fence h = 160 mm		3 320 505	1	6 415 504 320 505
114-3	Left fence h = 120 mm		6 415 504 240 310	1	6 415 504 240 310
114-4	Fence holder		3 300 502	2	

SPINDLE MOULDER FSN 300					
Position	Description	Norm	Stock number	pc	Note
114-5	Lead screw		3 300 505	2	
114-6	Screw M8 x 16	ČSN 02 1143.55	6 311 113 644 500	2	
114-7	Square washer		3 300 509	2	
114-8	Screw M8 x 60	ČSN 02 1319.05	6 311 115 531 200	2	
114-9	Adjustable handle M8	ART. 522-65	6 321 464 000 850	2	
114-10	Washer 8,4	ČSN 02 1702.15	6 311 131 711 300	2	
114-11	Motion nut		2 300 506	2	
114-12	Plate		3 300 508	2	
114-13	Distance plate		3 900 508	4	
114-14	Screw M6 x 16	ČSN 02 1103.25	6 309 203 078 680	2	
114-15	Washer 6,1	ČSN 02 1740.05	6 311 131 765 600	2	
114-16	Nut M6	ČSN 02 1401.25	6 311 122 702 200	2	
114-17	Ring		7 330 050 700 000	2	
114-18	Casing with thread		3 900 513	2	
114-19	Rosette Ø68		6 321 461 100 750	2	6 321 461 100 750
114-20	Suction hood		6 321 821 300 150	1	6 321 821 300 150
114-21	Washer 5,3	ČSN 02 1702.15	6 311 131 711 100	4	
114-22	Screw M5 x 20	ČSN 02 1103.25	6 309 203 076 600	4	
114-23	Screw of carrying cover		3 300 510	2	
114-24	Rosette M8 H=60 mm	ART. 734-50	6 321 464 000 800	2	
114-25	Washer		3 300 511	2	
114-26	Cover		3 902 522	1	
114-27	Front strip		3 902 514	1	
114-28	Back strip		3 902 515	1	
114-29	Screw M5 x 25	ČSN 02 1103.25	6 309 203 076 800	4	
114-30	Washer 5,1	ČSN 02 1740.05	6 311 131 765 500	4	
114-31	Screw M5 x 10	ČSN 02 1143.55	6 311 113 641 200	4	
114-32	Washer 5,3	ČSN 02 1702.15	6 311 131 711 100	4	
114-33	Nut M5	ČSN 02 1401.25	6 311 122 702 000	4	
114-34	Shaft		3 902 526	1	
114-35	Spring		6 315 060 610 700	1	6 315 060 610 700
114-36	Body		3 902 525	1	
114-37	Nut M10	ČSN 02 1403.25	6 311 122 722 410	1	
114-38	Ball 16	ČSN 02 5181.21	6 311 461 201 900	1	
114-39	Complete holder		2 902 565	1	
114-40	Complete column		2 902 570	1	
114-41	Holder		3 902 561	3	
114-42	Foot		3 902 572	1	6 613 152 000

SPINDLE MOULDER FSN 300					
Position	Description	Norm	Stock number	pc	Note
					110
114-43	Washer 5,5	ČSN 02 1729.05	6 311 131 750 650	2	
114-44	Drive fastener 5 x 10	DIN 1476	6 311 151 380 900	2	
114-45	Screw C 5 x 20	ČSN 02 1810.05	6 311 142 800 000	2	
114-46	Holder P		2 902 576	1	
114-47	Plate		3 902 577	1	
114-48	Arm		3 902 564	1	
114-49	Washer		3 902 579	1	
114-50	Screw M6 x 16	ČSN 02 1103.25	6 309 203 260 614	2	
114-51	Washer 6,4	ČSN 02 1702.15	6 311 131 711 200	2	
114-52	Rosette Ø40		6 321 461 100 000	6	6 321 641 100 000
114-53	Sticker-sticker warning sign		6 548 232 007 100	1	
114-54	Sticker-max. tool diameter	3 900 534	6 548 232 010 240	1	
114-55	Sticker-sticker arrow		6 548 232 007 400	1	
114-56	Sticker-sticker - fence shift	3 900 599	6 548 232 100 110	2	
114-57					
114-58					
114-59					
114-60	Fence holder - assembly		2 300 540	1	
114-61	Swing away cover - assembly		2 902 521	1	
114-62	Woodpresser - assembly		2 902 541	1	
114-63	Presser foot - assembly		2 902 562	1	
114-64	Side pressure - assembly		2 902 563	1	
114-65	Holder with pressure plate - assembly		2 902 582	1	
114-66	MORI woodpresser (MORI)	Sestava	2 320 501k	1	h = 160 mm
114-66	MORI woodpresser (MORI)	Sestava	2 902 500	1	h = 120 mm
115	Spindle Ø30 mm; clamping head + chuck for router bits				
115-1	Spindle		3 900 404.5	1	L = 130 mm
115-1	Spindle		3 900 404.6	1	L = 160 mm
115-2	Spindle pulley		3 900 405.5	1	1400; 3500; 6000; 8000; 10000/min; 50Hz

SPINDLE MOULDER FSN 300					
Position	Description	Norm	Stock number	pc	Note
115-2	Spindle pulley		3 902 631.5	1	1400; 3500; 6000; 8000; 10000/min 60Hz
115-3	Nut		3 902 457.2	1	
115-4	Casing		3 900 458.5	1	
115-5	Safety ring 45	ČSN 02 2925.1	6 311 173 050 650	1	
115-6	Distance ring 30		3 900 460	2	
115-7	Distance ring 20		3 900 459	2	
115-8	Distance ring 15		3 900 458	1	
115-9	Distance ring 5		3 900 456	2	
115-10	Screw		2 320 399.1	1	
115-11	Chuck for router bits 30 d 8		6 415 200 300 145	1	d = 8 mm
115-11	Chuck for router bits 30 d12		6 415 200 300 150	1	d = 12 mm
115-11	Chuck for router bits 30 d 12,7		6 415 200 300 155	1	d=12,7 mm
115-12	Nut		3 902 457.1	1	
115-13	Screw		3 900 437	1	
115-14					
115-15					
115-16					
115-17	Clamping head - assembly		2 900 406.5	1	
116	Spindle Ø50mm; clamping head				
116-1	Spindle		3 902 404	1	
116-2	Spindle pulley		7 390 040 510 000	1	1400; 3500; 6000; 8000/min 50Hz
116-2	Spindle pulley		3 902 631	1	1400; 3500; 6000; 8000/min 60Hz
116-3	Conic ring		3 900 412	2	
116-4	Nut KM6	ČSN 02 3630	6 324 971 000 600	2	
116-5	Telescopic pin		3 320 302.2	1	
116-6	Ring 30	ČSN 02 2930	6 311 173 079 000	2	
116-7	Distance ring		3 900 413	1	
116-8	Bearing 6006 2RZ		6 324 165 560 100	1	
116-9	Bearing 6206 2RZ		6 324 162 555 945	1	
116-10	Plate spring II		3 900 424	2	
116-11	Distance washer		3 900 428	5	
116-12	Distance ring 30		3 902 460	2	
116-13	Distance ring 20		3 902 459	2	

SPINDLE MOULDER FSN 300					
Position	Description	Norm	Stock number	pc	Note
116-14	Distance ring 15		3 902 458	1	
116-15	Distance ring 5		3 902 456	2	
116-16	Head		3 902 457	1	
116-17	Pin 6 x 25	ČSN 02 2152	6 311 151 079 300	1	
116-18	Screw M16 x 45	ČSN 02 1143.55	6 311 113 655 305	1	
116-19					
116-20					
116-21					
116-22	Clamping head - assembly		2 902 406	1	
117	Spindle Ø5/4" (31,75 mm); clamping head				
117-1	Spindle		3 902 635	1	
117-2	Spindle pulley		3 902 631	1	1400; 3500; 6000; 8000/min 50Hz
117-2	Spindle pulley		3 900 405.1	1	1400; 3500; 6000; 8000/min 60Hz
117-3	Conic ring		3 900 412	2	
117-4	Nut KM6	ČSN 02 3630	6 324 971 000 600	2	
117-5	Screw		2 320 399.2	1	
117-6	Distance ring 30		3 902 643	2	
117-7	Distance ring 20		3 902 642	2	
117-8	Distance ring 15		3 902 641	1	
117-9	Distance ring 5		3 902 640	2	
117-10	Head		3 902 645	1	
117-11	Pin 6 x 25	ČSN 02 2152	6 311 151 079 300	1	
117-12	Screw M12 x 35	ČSN 02 1143.55	6 311 113 648 800	1	
117-13					
117-14					
117-15					
117-16	Clamping head - assembly		2 902 644	1	
118	Spindle Ø40mm; clamping head				
118-1	Spindle		3 910 404	1	
118-2	Spindle pulley		7 390 040 510 000	1	1400; 3500; 6000; 8000/min 50Hz
118-2	Spindle pulley		3 902 631	1	1400; 3500; 6000; 8000/min 60HZ
118-3	Conic ring		3 900 412	2	
118-4	Nut KM6	ČSN 02 3630	6 324 971 000 600	2	
118-5	Screw		2 320 399.4	1	
118-6	Distance ring 30		3 910 460	2	

SPINDLE MOULDER FSN 300					
Position	Description	Norm	Stock number	pc	Note
118-7	Distance ring 20		3 910 459	2	
118-8	Distance ring 15		3 910 458	1	
118-9	Distance ring 5		3 910 456	2	
118-10	Head		3 910 457	1	
118-11	Pin 6 x 25	ČSN 02 2152	6 311 151 079 300	1	
118-12	Screw M12 x 35	ČSN 02 1143.55	6 311 113 648 800	1	
118-13					
118-14					
118-15					
118-16	Clamping head - assembly		2 910 406	1	
119	Spindle Ø35mm; clamping head				
119-1	Spindle		3 911 404	1	
119-2	Spindle pulley		7 390 040 510 000	1	1400; 3500; 6000; 8000/min 50Hz
119-2	Spindle pulley		3 902 631	1	1400; 3500; 6000; 8000/min 60HZ
119-3	Conic ring		3 900 412	2	
119-4	Nut KM6	ČSN 02 3630	6 324 971 000 600	2	
119-5	Screw		2 320 399.3	1	
119-6	Distance ring 30		3 911 460	2	
119-7	Distance ring 20		3 911 459	2	
119-8	Distance ring 15		3 911 458	1	
119-9	Distance ring 5		3 911 456	2	
119-10	Head		3 911 457	1	
119-11	Pin 6 x 25	ČSN 02 2152	6 311 151 079 300	1	
119-12	Screw M12 x 35	ČSN 02 1143.55	6 311 113 648 800	1	
119-13					
119-14					
119-15					
119-16	Clamping head - assembly		2 911 406	1	
120	Spindle Ø5/4" (31,75 mm) / 3/4" (19,05 mm)+ fixing nut				
120-1	Spindle		3 902 635.1	1	
120-2	Spindle pulley		3 900 405.1	1	1400; 3500; 6000; 8000/min 50Hz
120-2	Spindle pulley		3 902 631	1	1400; 3500; 6000; 8000/min 60Hz
120-3	Conic ring		3 900 412	2	
120-4	Nut KM6	ČSN 02 3630	6 324 971 000 600	2	
120-5	Screw		2 320 399.2	1	

SPINDLE MOULDER FSN 300					
Position	Description	Norm	Stock number	pc	Note
120-6	Distance ring 30		3 902 643	1	
120-7	Distance ring 20		3 902 642	2	
120-8	Distance ring 15		3 902 641	3	
120-9	Distance ring 10		3 304 103	1	
120-10	Distance ring 5		3 902 640	5	
120-11	Small ring 15/Ø19.05		3 902 653	1	
120-12	Small ring 10/Ø19.05		3 902 652	2	
120-13	Small ring 5/Ø19.05		3 902 651	2	
120-14	Big ring 10 / Ø19,05		3 902 650	1	
120-15	Big ring 5 / Ø19,05		3 902 649	3	
120-16	Casing		3 902 458.3	1	
120-17	Safety ring 28	ČSN 02 2925.1	6 311 173 050 550	1	
120-18	Nut		3 902 457.3	1	
120-19					
120-20					
120-21					
120-22	Clamping head - assembly		2 902 406.3	1	
121	Spindle Ø5/4" (31,75 mm); clamping head + chuck for router bits				
121-1	Spindle		3 902 635.5	1	
121-2	Spindle pulley		3 900 405.5	1	1400; 3500; 6000; 8000; 10000/min 50Hz
121-2	Spindle pulley		3 902 631.5	1	1400; 3500; 6000; 8000; 10000/min 60Hz
121-3	Nut		3 902 457.2	1	
121-4	Casing		3 902 458.2	1	
121-5	Safety ring 45	ČSN 02 2925.1	6 311 173 050 650	1	
121-6	Distance ring 30		3 902 643	2	
121-7	Distance ring 20		3 902 642	2	
121-8	Distance ring 15		3 902 641	1	
121-9	Distance ring 5		3 902 640	2	
121-10	Screw		2 320 399.2	1	
121-11	Chuck for router bits 30 d 8		6 415 200 300 145	1	d = 8 mm
121-11	Chuck for router bits 30 d 12,7		6 415 200 300 155	1	d=12,7 mm
121-12	Nut		3 902 457.1	1	
121-13	Screw		3 900 437	1	
121-14					

SPINDLE MOULDER FSN 300					
Position	Description	Norm	Stock number	pc	Note
121-15					
121-16					
121-17	Clamping head - assembly		2 902 406.2	1	
122	Spindle Ø40 mm; clamping head + chuck for router bits				
122-1	Spindle		3 910 404.5	1	
122-2	Spindle pulley		3 900 405.5	1	1400; 3500; 6000; 8000; 10000/min; 50Hz
122-2	Spindle pulley			1	
122-3	Nut		3 910 451	1	
122-4	Casing		3 910 452	1	
122-5	Safety ring 55	ČSN 02 2925.1	6 311 173 050 710	1	
122-6	Distance ring 30		3 910 460	2	
122-7	Distance ring 20		3 910 459	2	
122-8	Distance ring 15		3 910 458	1	
122-9	Distance ring 5		3 910 456	2	
122-10	Screw		2 320 399.4	1	
122-11	Chuck for router bits 30 d 8		6 415 200 300 145	1	d = 8 mm
122-11	Chuck for router bits 30 d12		6 415 200 300 150	1	d = 12 mm
122-12	Nut		3 902 457.1	1	
122-13	Screw		3 900 437	1	
122-14					
122-15					
122-16					
122-17	Clamping head - assembly		2 910 406.5	1	
123	Exch. spindle Ø30mm; clamping head				
123-1	Spindle shaft		3 920 404	1	
123-2	Spindle pulley		3 900 405.5	1	1400; 3500; 6000; 8000; 10000/min 50Hz
123-2	Spindle pulley		3 902 631.5	1	1400; 3500; 6000; 8000; 10000/min 60Hz
123-3	Screw		3 900 437	2	
123-4	Spindle Ø30		3 920 412	1	
123-5	Nut		3 902 457.2	1	
123-6	Casing		3 900 458.5	1	

SPINDLE MOULDER FSN 300					
Position	Description	Norm	Stock number	pc	Note
123-7	Safety ring 45	ČSN 02 2925.1	6 311 173 050 650	1	
123-8	Distance ring 30		3 900 460	2	
123-9	Distance ring 20		3 900 459	2	
123-10	Distance ring 15		3 900 458	1	
123-11	Distance ring 5		3 900 456	2	
123-12	Screw		2 320 399.4	1	
123-13	cap		6 284 300 104 807	1	
123-14					
123-15					
123-16					
123-17	Clamping head - assembly		2 900 406.5	1	
123-18	Exchangable spindle part - assembly		2 920 426k	1	
124	Exch. spindle Ø40mm; clamping head				
124-1	Spindle shaft		3 920 404	1	
124-2	Spindle pulley		3 900 405.5	1	1400; 3500; 6000; 8000; 10000/min 50Hz
124-2	Spindle pulley		3 902 631.5	1	1400; 3500; 6000; 8000; 10000/min 60Hz
124-3	Screw		3 900 437	2	
124-4	Spindle Ø40		3 920 412.1	1	
124-5	Nut		3 910 451	1	
124-6	Casing		3 910 452	1	
124-7	Safety ring 55	ČSN 02 2925.1	6 311 173 050 710	1	
124-8	Distance ring 30		3 910 460	2	
124-9	Distance ring 20		3 910 459	2	
124-10	Distance ring 15		3 910 458	1	
124-11	Distance ring 5		3 910 456	2	
124-12	Screw		2 320 399.4	1	
124-13	cap		6 284 300 104 807	1	
124-14					
124-15					
124-16					
124-17	Clamping head - assembly		2 910 406.5	1	
124-18	Exchangable spindle part - assembly		2 920 427k	1	

SPINDLE MOULDER FSN 300					
Position	Description	Norm	Stock number	pc	Note
125	Exch. spindle Ø50mm; clamping head				
125-1	Spindle shaft		3 920 404	1	
125-2	Spindle pulley		3 900 405.5	1	1400; 3500; 6000; 8000; 10000/min 50Hz
125-2	Spindle pulley		3 902 631.5	1	1400; 3500; 6000; 8000; 10000/min 60Hz
125-3	Screw		3 900 437	2	
125-4	Spindle Ø50		3 920 412.2	1	
125-5	Nut		3 902 450	1	
125-6	Casing		3 902 452	1	
125-7	Safety ring 65	ČSN 02 2925.1	6 311 173 050 750	1	
125-8	Distance ring 30		3 902 460	2	
125-9	Distance ring 20		3 902 459	2	
125-10	Distance ring 15		3 902 458	1	
125-11	Distance ring 5		3 902 456	2	
125-13	cap		6 284 300 104 807	1	
125-14					
125-15					
125-16					
125-17	Clamping head - assembly		2 902 406.5	1	
125-18	Exchangable spindle part - assembly		2 920 428k	1	
126	Exch. spindle Ø35mm; clamping head				
126-1	Spindle shaft		3 920 404	1	
126-2	Spindle pulley		3 900 405.5	1	1400; 3500; 6000; 8000; 10000/min 50Hz
126-2	Spindle pulley		3 902 631.5	1	1400; 3500; 6000; 8000; 10000/min 60Hz
126-3	Screw		3 900 437	2	
126-4	Spindle Ø35		3 920 412.8	1	
126-5	Nut		3 902 457.2	1	
126-6	Casing		3 911 451	1	
126-7	Safety ring 45	ČSN 02 2925.1	6 311 173 050 650	1	
126-8	Distance ring 30		3 911 460	2	
126-9	Distance ring 20		3 911 459	2	
126-10	Distance ring 15		3 911 458	1	

SPINDLE MOULDER FSN 300					
Position	Description	Norm	Stock number	pc	Note
126-11	Distance ring 5		3 911 456	2	
126-12	Screw		2 320 399.4	1	
126-13	cap		6 284 300 104 807	1	
126-14					
126-15					
126-16					
126-17	Clamping head - assembly		2 911 406.5	1	
126-18	Exchangable spindle part - assembly		2 920 435k	1	
127	Exch. spindle Ø30mm; clamping head + chuck for router bits				
127-1	Spindle shaft		3 920 404	1	
127-2	Spindle pulley		3 900 405.5	1	1400; 3500; 6000; 8000; 10000/min 50Hz
127-2	Spindle pulley		3 902 631.5	1	1400; 3500; 6000; 8000; 10000/min 60Hz
127-3	Screw		3 900 437	2	
127-4	Spindle Ø30		3 920 412.7	1	fastening length 100 mm
127-4	Spindle Ø30		3 920 413.2	1	fastening length 70 mm
127-5	Nut		3 902 457.2	1	
127-6	Casing		3 900 458.5	1	
127-7	Safety ring 45	ČSN 02 2925.1	6 311 173 050 650	1	
127-8	Distance ring 30		3 900 460	2	
127-9	Distance ring 20		3 900 459	2	
127-10	Distance ring 15		3 900 458	1	
127-11	Distance ring 5		3 900 456	2	
127-12	Screw		2 320 399.4	1	
127-13	Nut		3 902 457.1	1	
127-14	Plug		6 284 300 104 808	1	
127-15	Chuck for router bits 30 d 8		6 415 200 300 145	1	d = 8 mm
127-15	Chuck for router bits 30 d12		6 415 200 300 150	1	d = 12 mm
127-16					
127-17					
127-18					
127-19	Clamping head -		2 900 406.5	1	

SPINDLE MOULDER FSN 300					
Position	Description	Norm	Stock number	pc	Note
	assembly				
127-20	Exchangable spindle part - assembly		2 920 439k	1	L = 70 mm
127-20	Exchangable spindle part - assembly		2 920 434k	1	L = 100 mm
128	Exch. spindle Ø35mm; clamping head + chuck for router bits				
128-1	Spindle shaft		3 920 404	1	
128-2	Spindle pulley		3 900 405.5	1	1400; 3500; 6000; 8000; 10000/min 50Hz
128-2	Spindle pulley		3 902 631.5	1	1400; 3500; 6000; 8000; 10000/min 60Hz
128-3	Screw		3 900 437	2	
128-4	Spindle Ø35		3 920 412.6	1	fastening length 100 mm
128-4	Spindle Ø35		3 920 413.1	1	fastening length 70 mm
128-5	Nut		3 902 457.2	1	
128-6	Casing		3 911 451	1	
128-7	Safety ring 45	ČSN 02 2925.1	6 311 173 050 650	1	
128-8	Distance ring 30		3 911 460	2	
128-9	Distance ring 20		3 911 459	2	
128-10	Distance ring 15		3 911 458	1	
128-11	Distance ring 5		3 911 456	2	
128-12	Screw		2 320 399.4	1	
128-13	Nut		3 902 457.1	1	
128-14	Plug		6 284 300 104 808	1	
128-15	Chuck for router bits 30 d 8		6 415 200 300 145	1	d = 8 mm
128-15	Chuck for router bits 30 d12		6 415 200 300 150	1	d = 12 mm
128-16					
128-17					
128-18					
128-19	Clamping head - assembly		2 911 406.5	1	
128-20	Exchangable spindle part - assembly		2 920 438k	1	L = 70 mm
128-20	Exchangable spindle part - assembly		2 920 433k	1	L = 100 mm

SPINDLE MOULDER FSN 300					
Position	Description	Norm	Stock number	pc	Note
129	Exch. spindle Ø5/4" (31,75mm); clamping head + chuck for router bits				
129-1	Spindle shaft		3 920 404	1	
129-2	Spindle pulley		3 900 405.5	1	1400; 3500; 6000; 8000; 10000/min 50Hz
129-2	Spindle pulley		3 902 631.5	1	1400; 3500; 6000; 8000; 10000/min 60Hz
129-3	Screw		3 900 437	2	
129-4	Spindle Ø31,75		3 920 412.4	1	fastening length 100 mm
129-4	Spindle Ø31,75		3 920 413	1	fastening length 70 mm
129-5	Nut		3 902 457.2	1	
129-6	Casing		3 902 458.2	1	
129-7	Safety ring 45	ČSN 02 2925.1	6 311 173 050 650	1	
129-8	Distance ring 30		3 902 643	2	
129-9	Distance ring 20		3 902 642	2	
129-10	Distance ring 15		3 902 641	1	
129-11	Distance ring 5		3 902 640	2	
129-12	Screw		2 320 399.4	1	
129-13	Nut		3 902 457.1	1	
129-14	Plug		6 284 300 104 808	1	
129-15	Chuck for router bits 30 d 8		6 415 200 300 145	1	
129-15	Chuck for router bits 30 d12,7		6 415 200 300 155	1	
129-16					
129-17					
129-18					
129-19	Clamping head - assembly		2 902 406.2	1	
129-20	Exchangable spindle part - assembly		2 920 437k	1	L = 70 mm
129-20	Exchangable spindle part - assembly		2 920 429k	1	L = 100 mm
130	Exch. spindle Ø5/4" (31,75mm) / 3/4" (19,05mm); clamping head				
130-1	Spindle shaft		3 920 404	1	
130-2	Spindle pulley		3 900 405.5	1	1400; 3500; 6000; 8000; 10000/min 50Hz
130-2	Spindle pulley		3 902 631.5	1	1400; 3500; 6000;

SPINDLE MOULDER FSN 300					
Position	Description	Norm	Stock number	pc	Note
					8000; 10000/min 60Hz
130-3	Screw		3 900 437	2	
130-4	Spindle Ø31,5 / 19,05		3 920 412.3	1	
130-5	Nut		3 902 457.3	1	
130-6	Casing		3 902 458.3	1	
130-7	Safety ring 28	ČSN 02 2925.1	6 311 173 050 550	1	
130-8	Distance ring 30		3 902 643	1	
130-9	Distance ring 20		3 902 642	2	
130-10	Distance ring 15		3 902 641	3	
130-11	Distance ring 10		3 304 103	1	
130-12	Distance ring 5		3 902 640	5	
130-13	Small ring 15/ Ø19,05		3 902 653	1	
130-14	Small ring 10/ Ø19,05		3 902 652	2	
130-15	Small ring 5/ Ø19,05		3 902 651	2	
130-16	Big ring 10 / Ø19,05		3 902 650	1	
130-17	Big ring 5 / Ø19,05		3 902 649	3	
130-18	Screw		2 320 399.4	1	
130-19	cap		6 284 300 104 806	1	
130-20					
130-21					
130-22					
130-23	Clamping head - assembly		2 902 406.3	1	
130-24	Exchangable spindle part - assembly		2 920 430k	1	
131	Exch. spindle Ø5/4" (31,75mm) / 1" (25,4mm); clamping head				
131-1	Spindle shaft		3 920 404	1	
131-2	Spindle pulley		3 900 405.5	1	1400; 3500; 6000; 8000; 10000/min 50Hz
131-2	Spindle pulley		3 902 631.5	1	1400; 3500; 6000; 8000; 10000/min 60Hz
131-3	Screw		3 900 437	2	
131-4	Spindle Ø31,5 / 25,4		3 920 412.5	1	
131-5	Nut		3 902 457.4	1	
131-6	Casing		3 902 458.4	1	
131-7	Safety ring 35	ČSN 02 2925.1	6 311 173 050 630	1	
131-8	Distance ring 30		3 902 643	1	
131-9	Distance ring 20		3 902 642	2	

SPINDLE MOULDER FSN 300					
Position	Description	Norm	Stock number	pc	Note
131-10	Distance ring 15		3 902 641	3	
131-11	Distance ring 10		3 304 103	1	
131-12	Distance ring 5		3 902 640	5	
131-13	Small ring 15/Ø25,4		3 920 653	1	
131-14	Small ring 10/Ø25,4		3 920 652	2	
131-15	Small ring 5/ Ø25,4		3 920 651	3	
131-16	Big ring 10 / Ø25,4		3 920 650	2	
131-17	Big ring 5 / Ø25,4		3 920 649	4	
131-18	Screw		2 320 399.4	1	
131-19	cap		6 284 300 104 807	1	
131-20					
131-21					
131-22					
131-23	Clamping head - assembly		2 902 406.4	1	
131-24	Exchangable spindle part - assembly		2 920 431k	1	
132	Exch. spindle Ø5/4"(31,75mm) / 1" x 4" (25,4mm x 101,6mm); clamping head				
132-1	Spindle shaft		3 920 404	1	
132-2	Spindle pulley		3 900 405.5	1	1400; 3500; 6000; 8000; 10000/min 50Hz
132-2	Spindle pulley		3 902 631.5	1	1400; 3500; 6000; 8000; 10000/min 60Hz
132-3	Screw		3 900 437	2	
132-4	Spindle Ø31,75 / 25,4 x 101,6		3 920 412.9	1	
132-5	Nut		3 902 457.4	1	
132-6	Casing		3 902 458.4	1	
132-7	Safety ring 35	ČSN 02 2925.1	6 311 173 050 630	1	
132-8	Distance ring 30		3 902 643	1	
132-9	Distance ring 20		3 902 642	2	
132-10	Distance ring 15		3 902 641	3	
132-11	Distance ring 10		3 304 103	1	
132-12	Distance ring 5		3 902 640	5	
132-13	Small ring 15 / Ø25,4		3 920 653	2	
132-14	Small ring 10 / Ø25,4		3 920 652	5	
132-15	Small ring 5 / Ø25,4		3 920 651	4	
132-16	Big ring 10 / Ø25,4		3 920 650	6	

SPINDLE MOULDER FSN 300					
Position	Description	Norm	Stock number	pc	Note
132-17	Big ring 5 / Ø25,4		3 920 649	10	
132-18	Screw		2 320 399.4	1	
132-19	cap		6 284 300 104 807	1	
132-20					
132-21					
132-22					
132-23	Clamping head - assembly		2 902 406.4	1	
132-24	Exchangable spindle part - assembly		2 920 436k	1	
139	Tenoning plate for short workpieces				
139-1	Plate		3 621 901	1	
139-2	Washer		3 900 420	2	
139-3	Rosette Ø50 M8	BOTECOPLAST	6 321 464 000 800	2	
139-4	Screw M8 x 35	ČSN 02 1101.25	6 309 201 016 800	2	
139-5					
139-6					
139-7					
139-8	Assembly		2 621 900	1	
140	Table extension				
140-1	Table extension		2 903 152	2	
140-2	Screw M8 x 30	ČSN 02 1187.72	6 311 112 302 000	6	
140-3	Nut M8	ČSN 02 1401.25	6 311 122 702 600	6	
140-4	Screw M8 x 16	ČSN 02 1143.55	6 311 113 644 500	6	
140-5	Washer 8,2	ČSN 02 1740.05	6 311 131 765 700	6	
140-6					
140-7					
140-8					
140-9	Table extension left and right		2 320 006k	1	
142	Tenoning protection				
142-1	Cover		2 621 911	1	
142-2	Sliding cover		3 621 913	1	
142-3	Cover		2 621 914	1	
142-4	Suction hood		3 621 916	1	
142-5	Brace		3 621 917	2	
142-6	Swinging cover		3 621 918	1	
142-7	Rosette Ø25 M8 x 35		6 321 461 020 025	4	
142-8	Washer 9	ČSN 02 1727.05	6 311 131 720 300	2	
142-9	Rubber bumper	12/2/6-341-037	6 273 143 000 200	2	

SPINDLE MOULDER FSN 300					
Position	Description	Norm	Stock number	pc	Note
142-10	Screw M6 x 16	ČSN 02 1103.25	6 309 203 078 680	3	
142-11	Nut M6	ČSN 02 1401.25	6 311 122 702 200	3	
142-12	Washer 6,4	ČSN 02 1702.15	6 311 131 711 200	3	
142-13	Washer 8,4	ČSN 02 1726.15	6 311 131 120 800	4	
142-14	Nut rivet	ČSN	6 311 870 000 750	2	
142-15	Screw M8 x 40	ČSN 02 1143.55	6 309 543 250 400	2	
142-16	Washer 8,4	ČSN 02 1726.15	6 311 131 120 800	2	
142-17					
142-18					
142-19					
142-20	Assembly		2 621 910	1	
143	Safety protection for round profiles				
143-1	Safety protection for round profiles		6 283 319 000 336	1	
145	Table extension for feeder				
145-1	Plate		3 900 260	1	
145-2	Feeding plate		3 900 261	1	
145-3	Long pin		3 900 262	1	
145-4	Short pin		3 900 263	1	
145-5	Lever		2 900 255	1	
145-6	Ring		3 900 264	1	
145-7	Spring	3 900 265	6 315 817 900 290	1	
145-8	Casing		3 900 257	1	
145-9					
145-10	Screw M8 x 30	ČSN 02 1143.55	6 311 113 644 800	3	
145-11	Screw M8 x 20	ČSN 02 1103.25	6 309 203 081 400	1	
145-12	Screw M8 x 25	ČSN 02 1143.55	6 309 543 250 200	1	
145-13	Screw M8 x 10	DIN 914	6 310 101 005 994	2	
145-14	Ring 18	ČSN 02 2930	6 311 173 077 200	1	
145-15	Washer 8,2	ČSN 02 1740.05	6 311 131 765 700	4	
145-16	Washer 8,4	ČSN 02 1702.15	6 311 131 711 300	7	
145-17					
145-18					
145-19					
145-20	Assembly		2 900 225	1	

